

# INSTRUCTION MANUAL

BS03581401

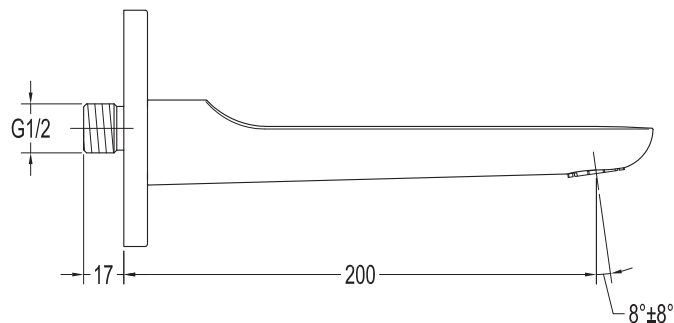
## I. Installation Notice

1. Install water supply lines in accordance with this manual.
2. Floor drain should be installed in the location of the faucet.
3. Install faucets only after the completion of house interior decoration in case paint or other chemicals erode faucet surface.
4. Clean pipes before installation to get rid of mud, sand or other debris.
5. If the thread of pipes don't match well with product, please find out the reason first, otherwise a forced connection will damage the faucet.
6. After installation, ensure all the joints are firmly connected. Then run water and open faucet repeatedly to make sure there are no leaks. At this stage, the product is ready for normal use.
7. Keep the manual to the user.

## II. Operation Notice

1. The working condition of this product is water pressure 0.05~1.0MPa, water temperature 4~90°C.
2. Do not hang heavy things on the faucet.
3. Make sure the faucet is off when no water comes out of it (especially when nobody resides in or during the period of decoration or suspend of water).
4. Regularly clean the surface of faucet to keep it bright. Attention: do not use inappropriate tools such as sharp brushes, rough sponges, scouring pads or corrosive detergent to clean the faucet, and we do not recommend that you use the detergent sold in the market, because its formula is changing frequently. Please clean the faucet by a wet cotton cloth with soapy water, then rinse and dry with a soft cotton cloth after each time of usage.
5. Please open the cold and hot water in turn and adjust to comfortable temperature before washing to avoid scald.
6. Do not disassemble the product unless you are an expert.

## III. Installation Diagram



\* The installation diagram is only for reference, the product is subject to the real object.

## IV. Installation Steps (Fig.1-8)

1

Prepare and check the following tools.

Spanner

Teflon tape

S3 Allen key (Provided)

Wrench (Provided)

S2.5 Allen key (Provided)

2

Loosen M6 screw by S3 allen key, remove connector.

Connector

Spout

M6 Screw

S3 Allen key

3

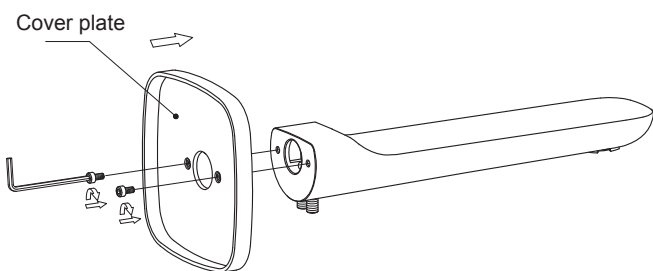
Remove M3 screw by S2.5 allen key.

S2.5 Allen key

M3 Screw

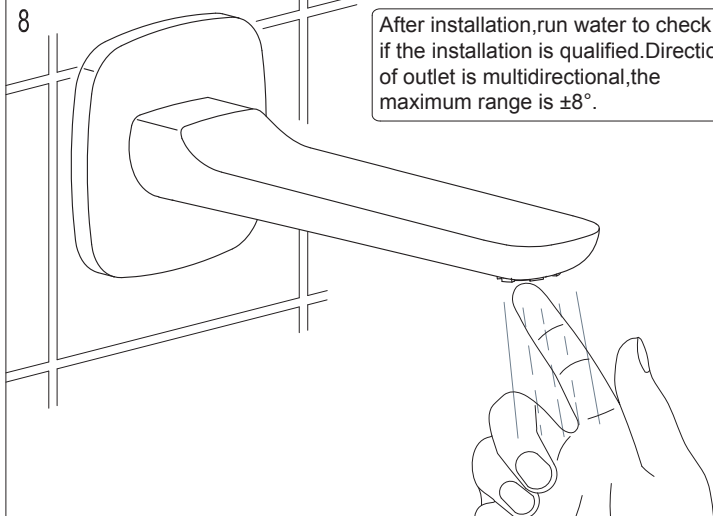
4

Fix cover plate to spout with M3 screw.



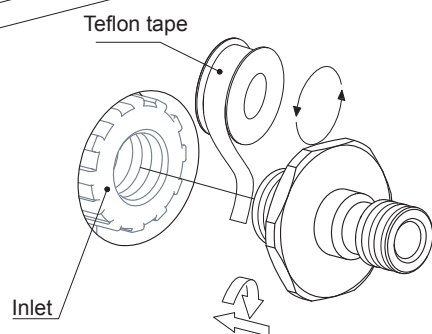
8

After installation,run water to check if the installation is qualified.Direction of outlet is multidirectional,the maximum range is  $\pm 8^\circ$ .



5

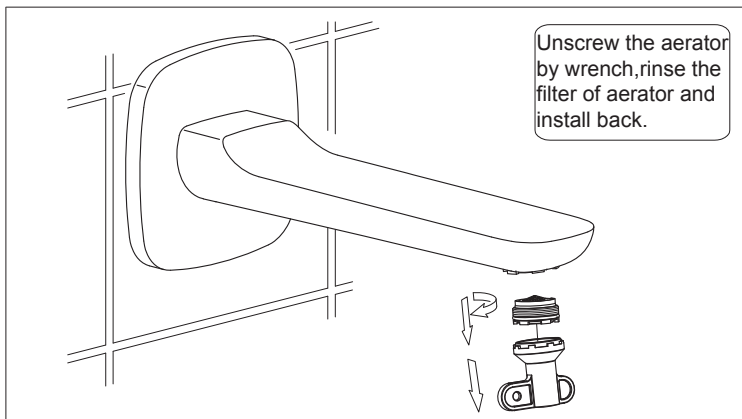
Wrap connector with teflon tape,screw to inlet and close to the finished metope.



### V.Cleaning:

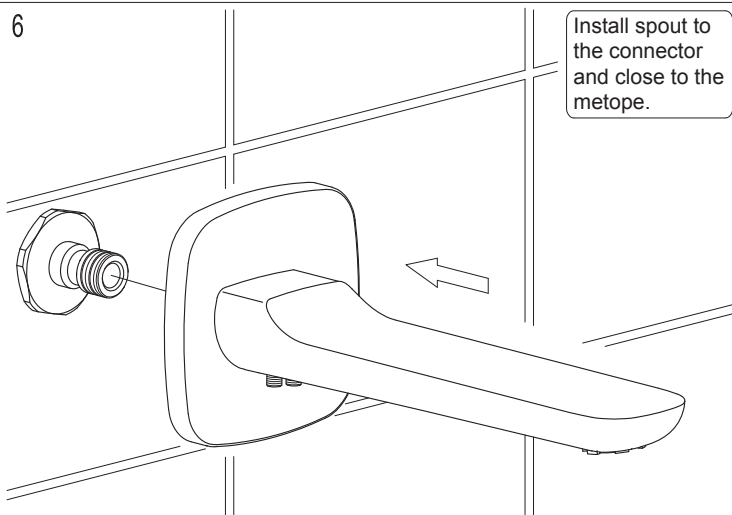
After a period of usage,debris blocked the aerator may cause lessened flow rate,take the following steps to clean:

Unscrew the aerator by wrench,rinse the filter of aerator and install back.



6

Install spout to the connector and close to the metope.



7

Tighten M6 screw by S3 allen key.

