

INSTRUCTION MANUAL

BS85192229

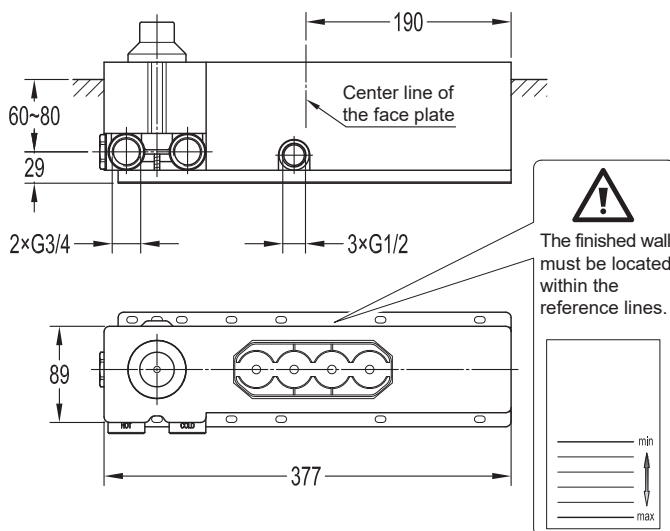
III. Operation Notice

1. The product is used at water pressure 0.05~1.0MPa and water temperature 4~90°C. Main valve should be equipped with a filter.
2. Do not hang heavy objects on the mixer. To avoid using the faucet as handrail, a separate handrail must be installed if needed.
3. Make sure the faucet is off when no water comes out of it, especially when nobody resides in or during the period of decoration or suspension of water.
4. Regularly clean the surface of faucet to keep it bright. Attention: Do not use inappropriate tools such as sharp brushes, rough sponges, scouring pads or corrosive detergent to clean the faucet. It is not recommended to use the detergent sold in the market, because its formula changes frequently. Please clean the faucet with wet cloth and soapy water after usage. Then rinse the soap off with clean water and dry with a soft cotton cloth.
5. Residues of shampoo, shower gel, hair dye, perfume, shaving water, nail polish, toothpaste and other substances may cause damage to the product. Please carefully rinse residues with clean water after use. Also, do not store detergents and chemicals under the product, such place as vanity cabinet of washbasin; otherwise volatile gases will damage the product.
6. When room temperature falls below 0°C, take necessary measures (keep the product warm, close windows) to prevent the product from frost cracking, especially when windows open for air ventilation while nobody in the house.
7. Turn on the cold water first, then hot water. Adjust the temperature before use to avoid scald. Sensitive parts of the body, such as eyes, must be kept out of water flows from shower.
8. Children, adults with mental disorders should not be allowed to use the shower system without supervision, nor should people affected by alcohol or drugs.
9. Do not disassemble the product without help from the professionals.

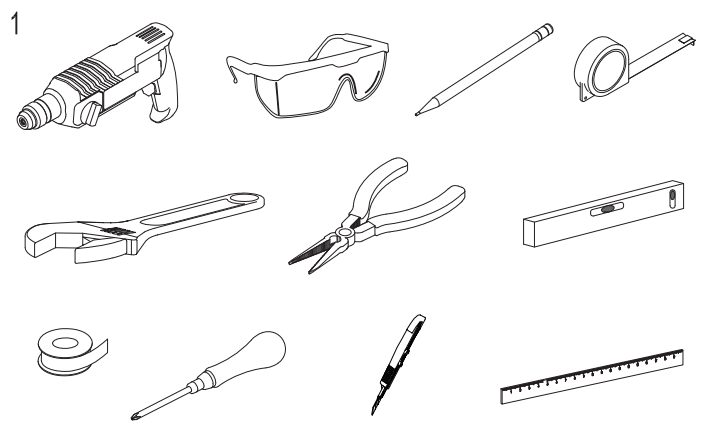
I. Installation Notice

1. Install water pipes in accordance with this manual.
2. Floor drain should be installed onsite.
3. All the components except mixer body should be installed only after the completion of house interior decoration in case paint or other chemicals erode the mixer surface.
4. Run water to clean pipes so as to get rid of mud, sand or other debris blocked in pipes before installation. Before tiling, run water to perform pressurized test and make sure no leakage after connecting pipes. If the thread does not match well with the water pipe, please identify the cause first; otherwise a forced connection will damage the product.
5. After installation, check all the joints to ensure they are firmly connected. Turn on and off the water repeatedly to ensure there is no leakage around the joints. After that, the product is ready for normal use.
6. Keep the manual to users.

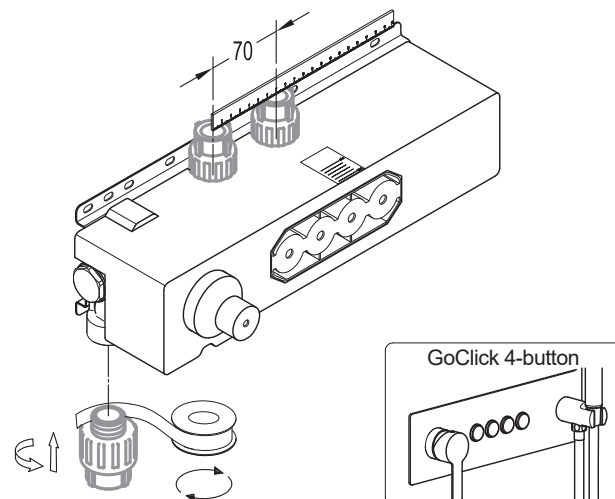
II. Installation Diagram

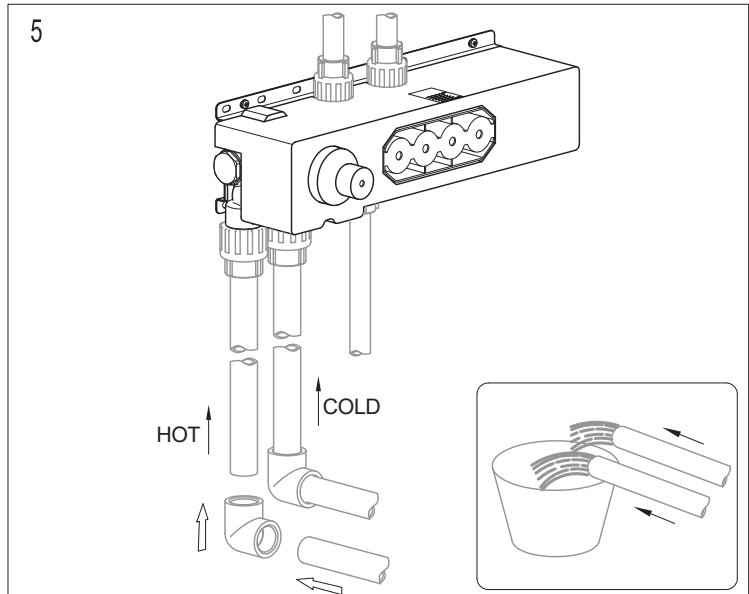
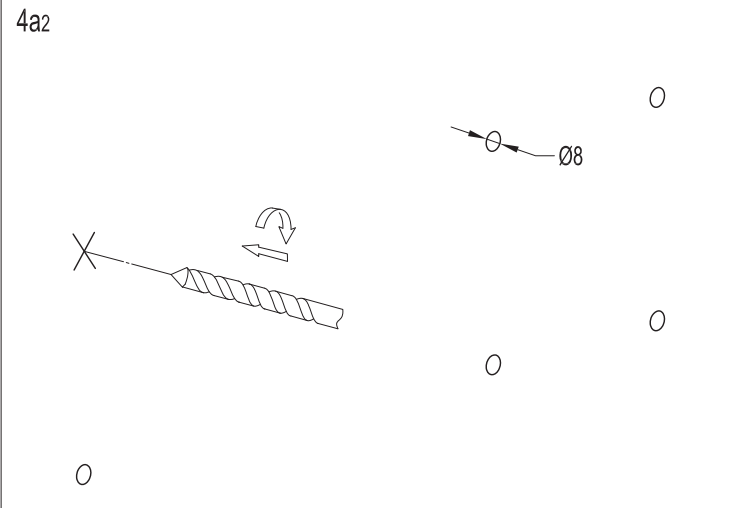
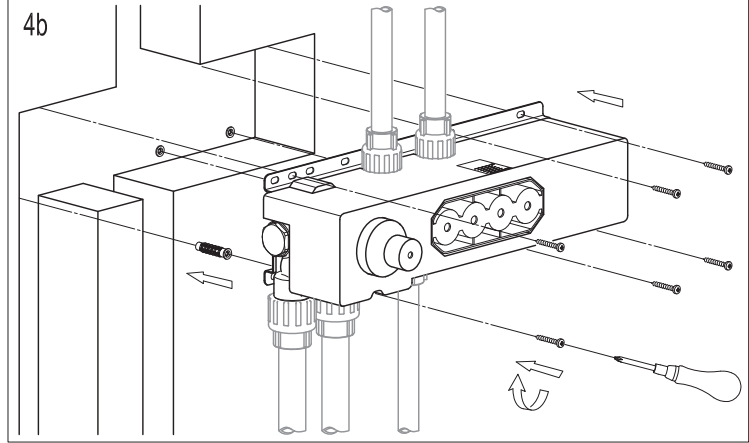
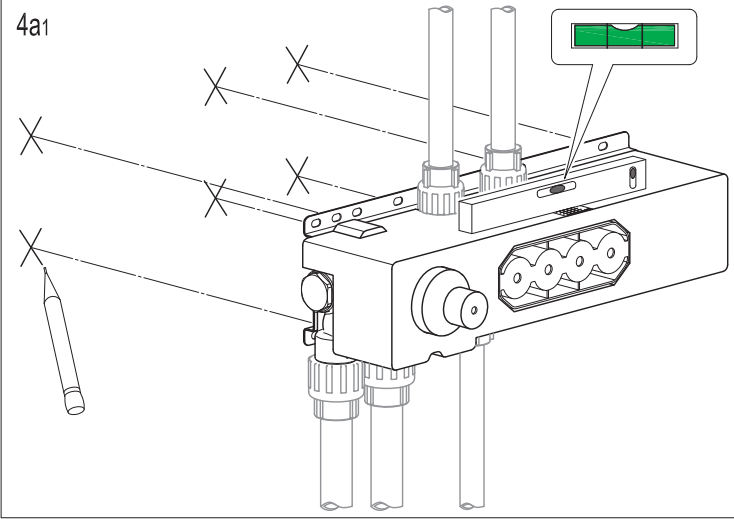
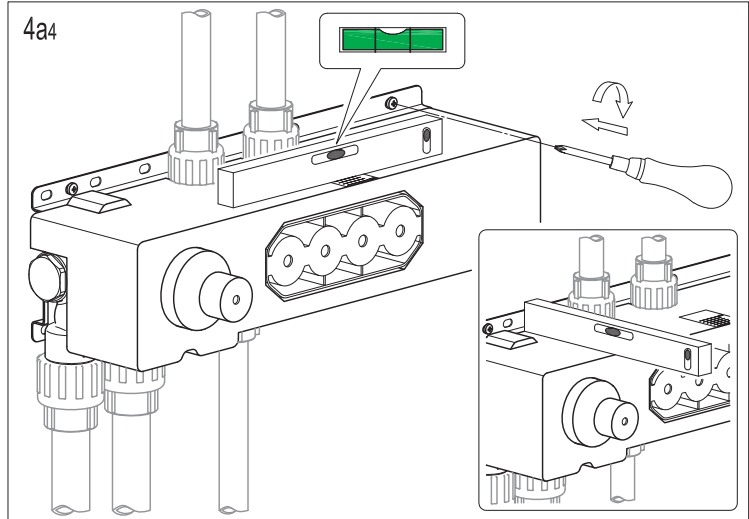
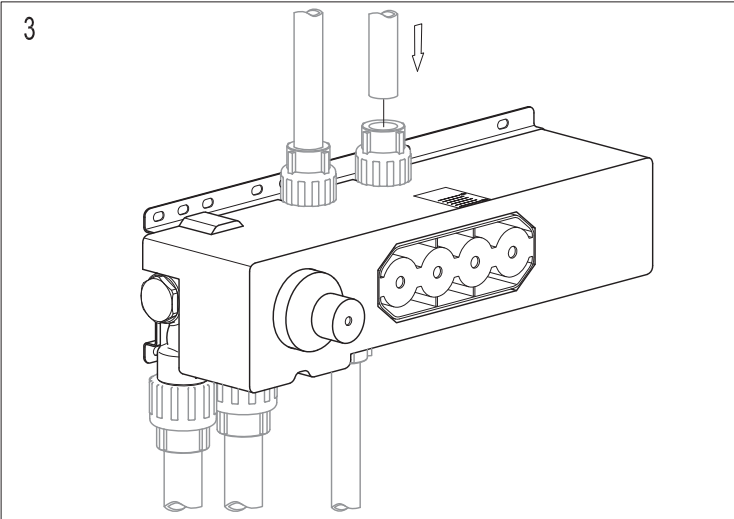
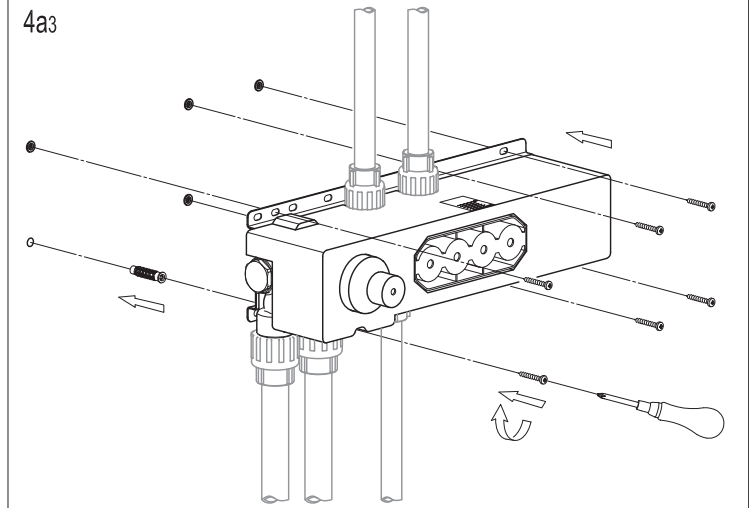
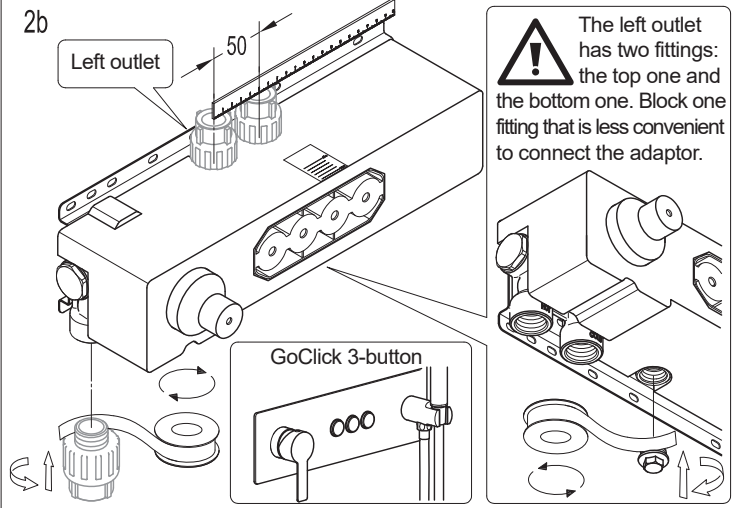


IV. Installation Steps (Fig.1-19): * The installation diagram is only for reference. The product is subject to the real object.

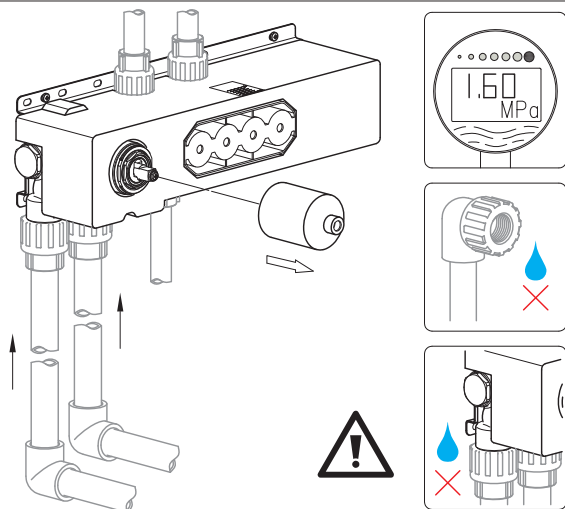


2a

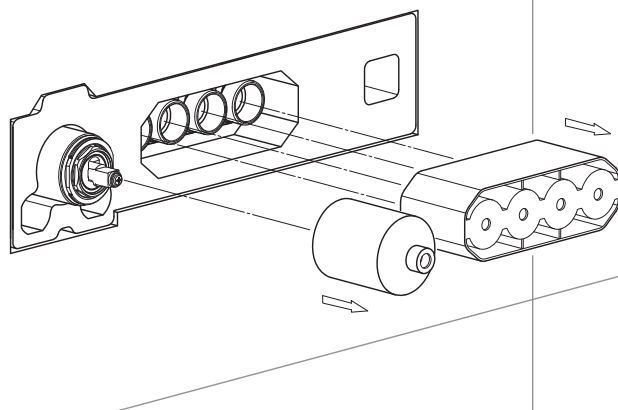




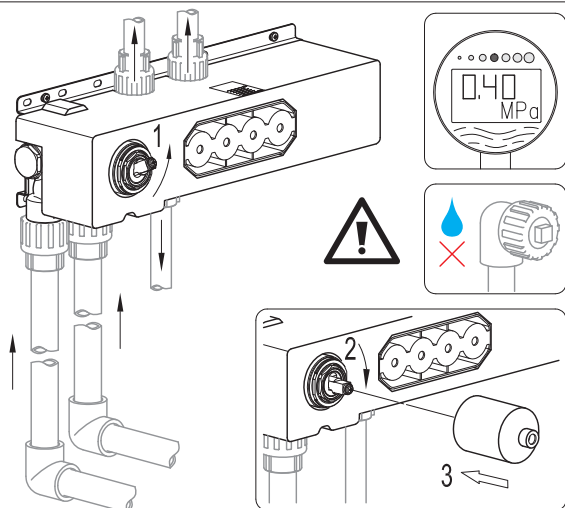
6



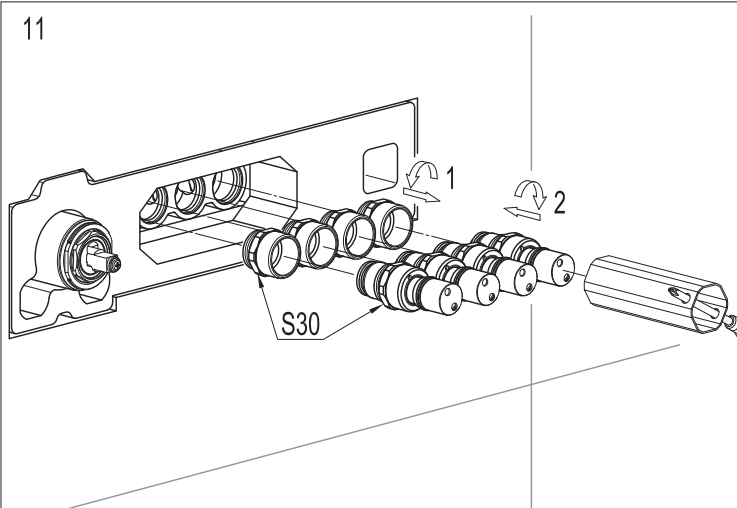
10



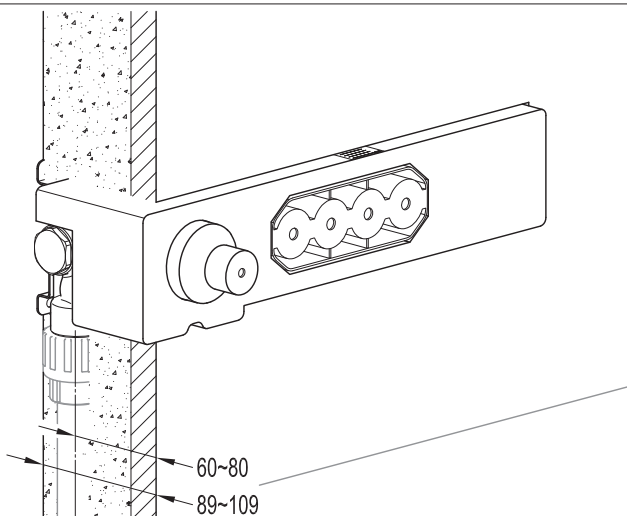
7



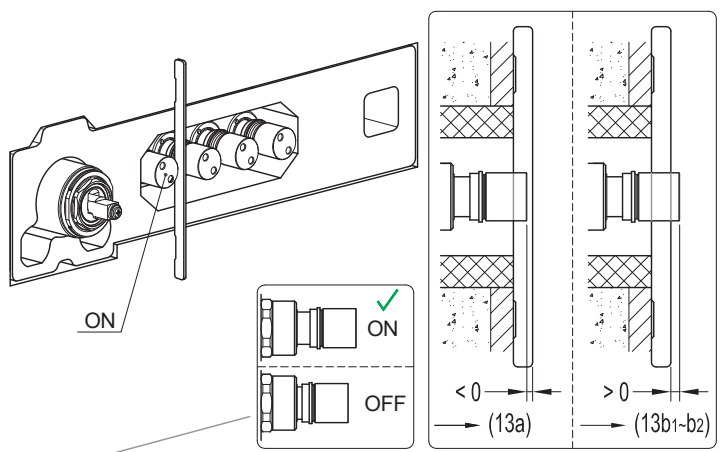
11



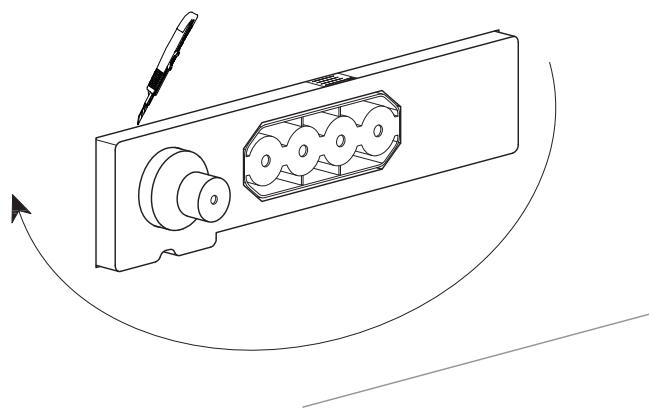
8



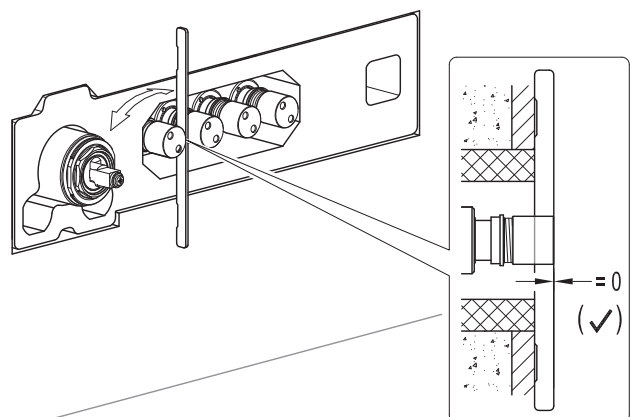
12



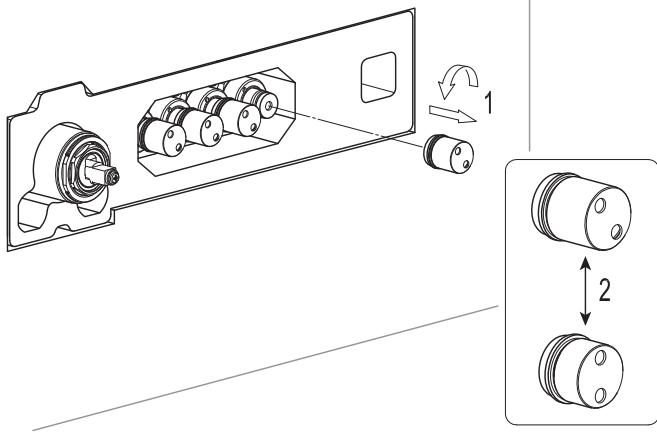
9



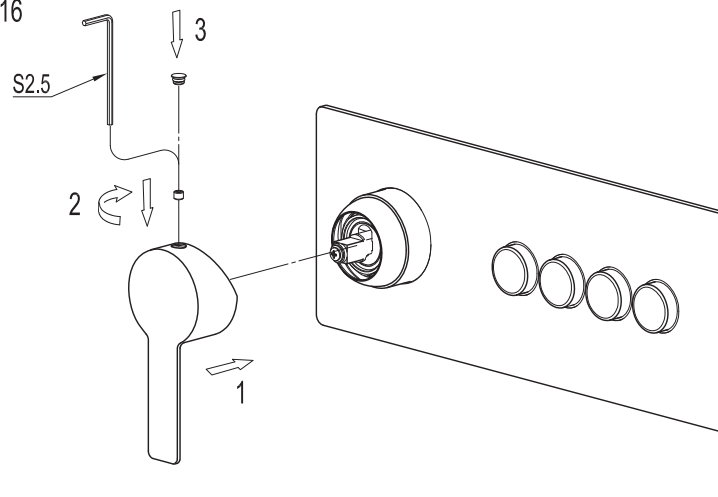
13a



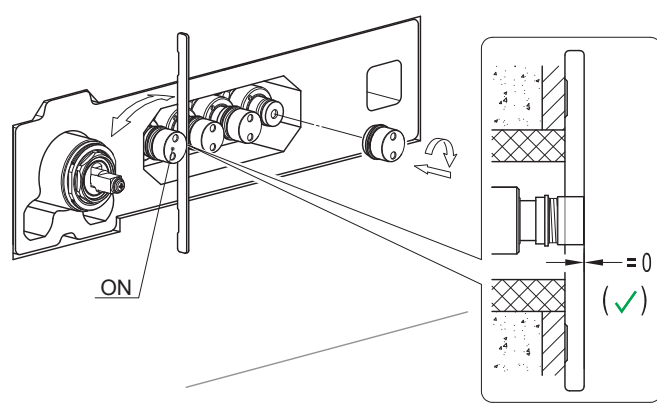
13b1



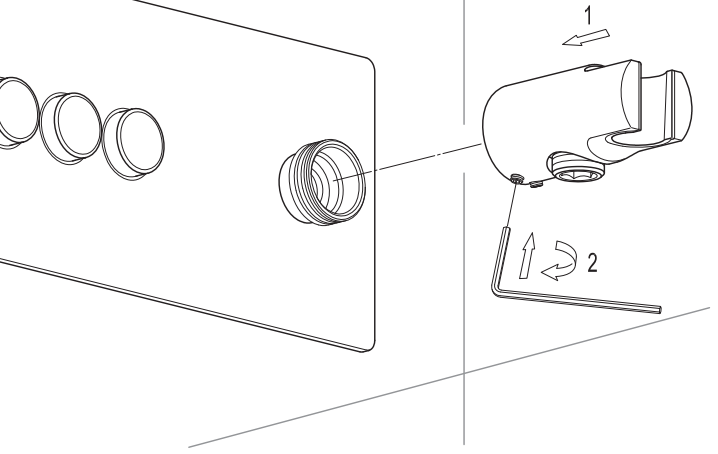
16



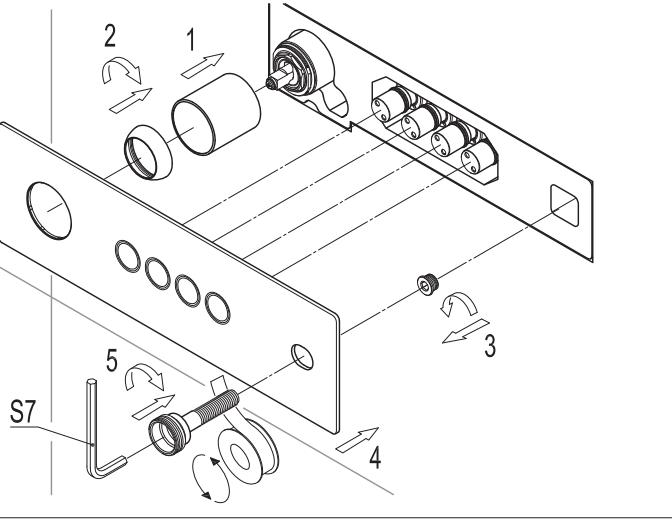
13b2



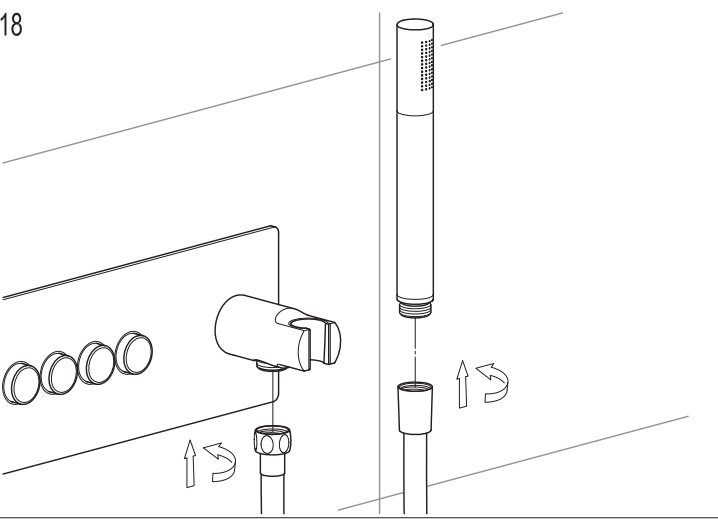
17



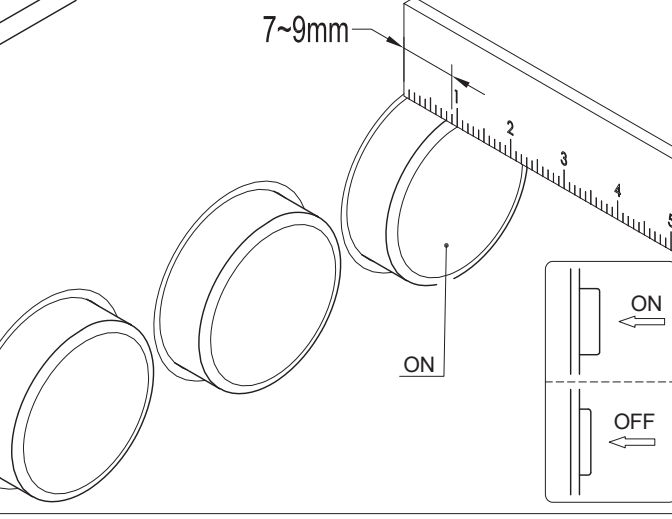
14



18



15



19

