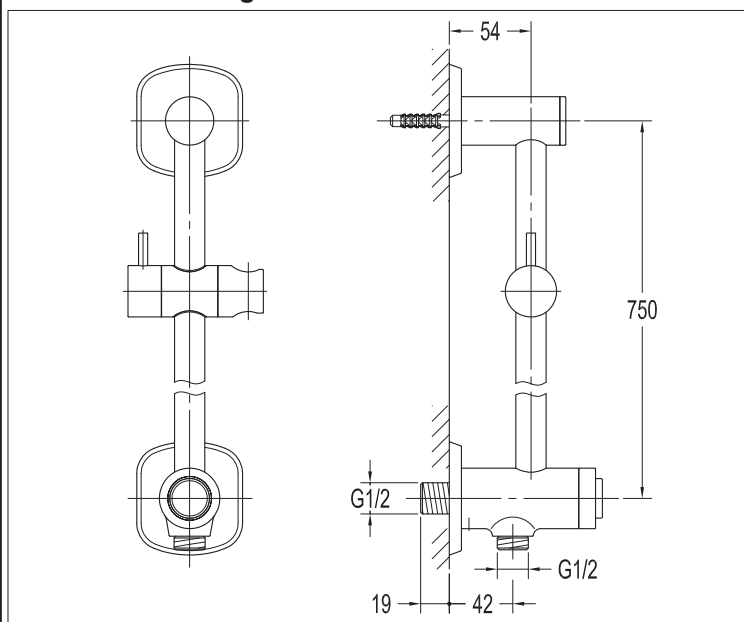


INSTRUCTION MANUAL

BS15091753

III Installation Diagram:



IV. Installation Steps (Fig.1-9):*

* The installation diagram is only for reference. The product is subject to the real object.

1

Prepare below tools.

2

Adapter, Valve Body, M5x5 Screws

Loosen the M5x5 screws and remove the adapter.

3

Inlet Pipe, Adapter, Keep Upright, Decorative Cover (smaller hole)

Press the adapter through the decorative cover. Wrap the thread with Teflon tape and screw it into inlet pipe.

4

Outlet

Install the valve body to the adapter, and make sure the outlet is vertically downward. Then tighten M5x5 screws.

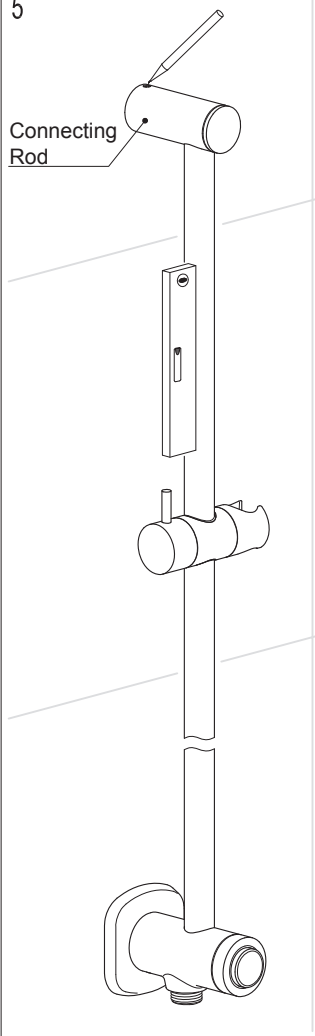
I. Installation Notice

1. Install water supply lines in accordance with this manual.
2. Floor drain should be installed in the location of the product.
3. Install exposed parts except valve bodies only after the completion of house interior decoration in case paint or other chemicals erode surface.
4. Clean pipes before installation to get rid of mud, sand or other debris. The front end of inlet pipe must be equipped with a filter.
5. If the thread of pipes don't match well with product, please find out the reason first, otherwise a forced connection will damage the faucet.
6. After installation, ensure all the joints are firmly connected. Then turn on water supply and open faucet repeatedly to make sure there are no leaks. At this stage, the product is ready for normal use.
7. Keep the manual to the user.

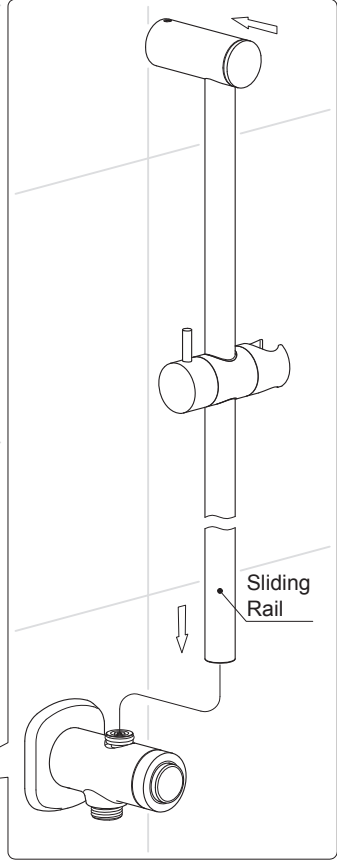
II. Operation Notice

1. The working condition of this product is water pressure 0.05~1.0MPa, water temperature 4~90°C. Main valve should be equipped with a filter.
2. Do not hang heavy things on the product.
3. Make sure the product is off when no water comes out of it (especially when nobody resides in or during the period of decoration or suspend of water).
4. Regularly clean the surface of faucet to keep it bright. Attention: do not use inappropriate tools such as sharp brushes, rough sponges, scouring pads or corrosive detergent to clean the faucet, and we do not recommend that you use the detergent sold in the market, because its formula is changing frequently. Please clean the product by a wet cotton cloth with soapy water, then rinse and dry with a soft cotton cloth after each time of usage.
5. Please adjust to comfortable temperature before washing to avoid scald.
6. Do not disassemble the product unless you are an expert.

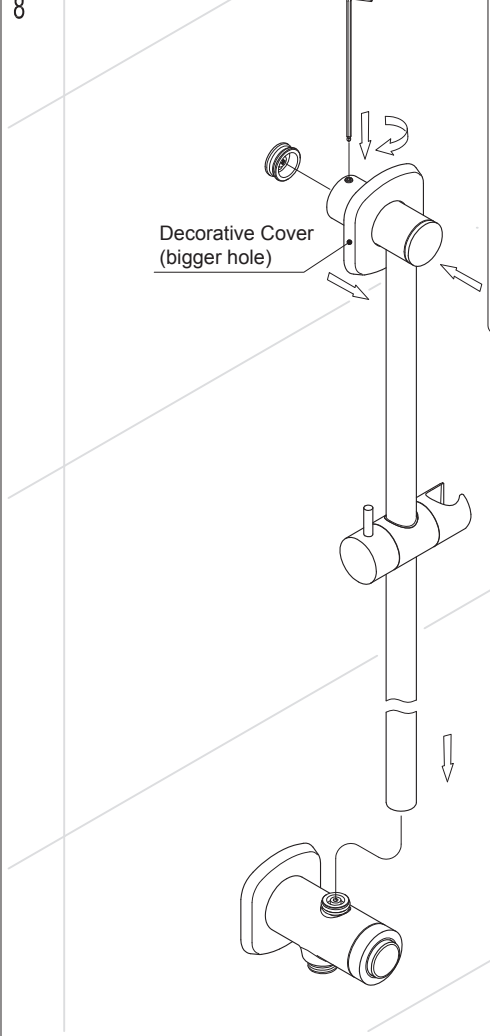
5



Insert the sliding rail into the valve body and place the connecting rod against the wall. Adjust the sliding rail to vertical state. Take the contour of connecting rod as the benchmark to draw a circle on the wall and then remove the sliding rail.

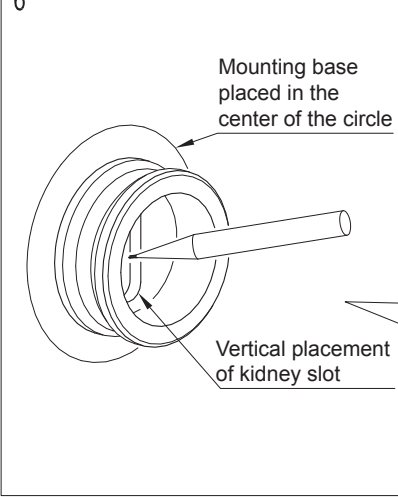


8

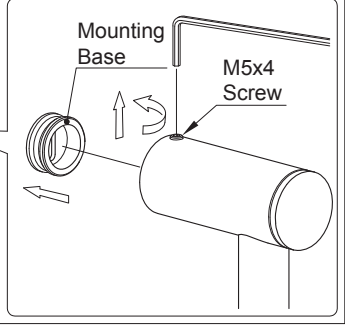


Press the connecting rod through the decorative cover. Insert the sliding rail into the valve body. Then install the connecting rod to the mounting base and place it against the wall. Tighten the M5x4 screw of the connecting rod and ensure the decorative cover is right against the wall.

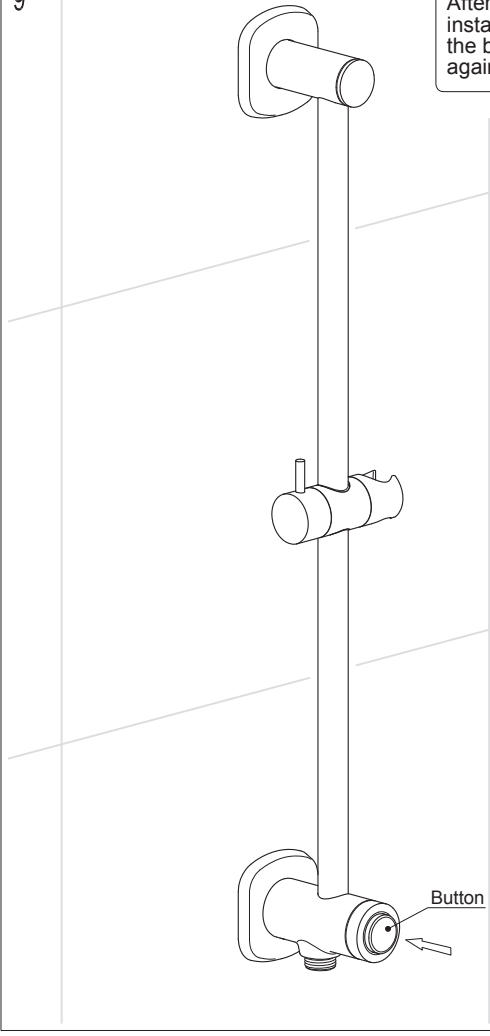
6



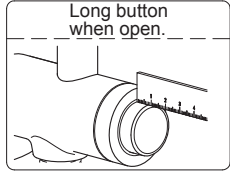
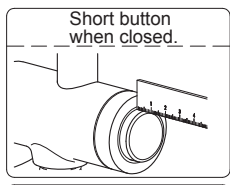
Loosen the M5x4 screw and take the mounting base away from the connecting rod. Lay the mounting base against the marked position and then the kidney slot of the mounting base as benchmark to make marks on the wall.



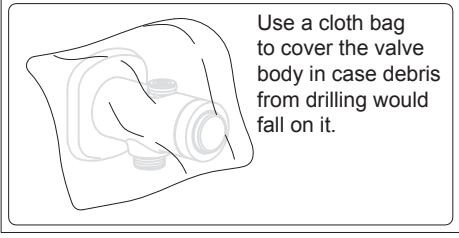
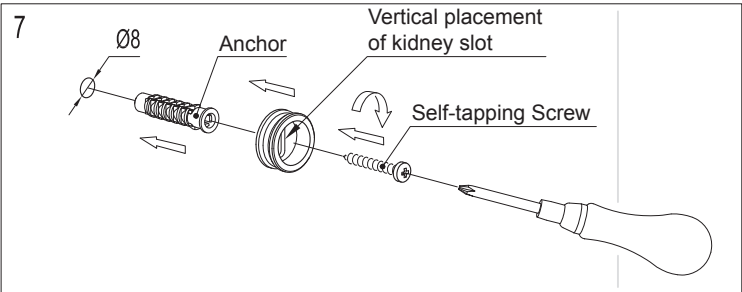
9



After completion, check if the installation is correct. Press the button to open and press again to close.



7



Drill a $\varnothing 8$ hole at marked position and insert the anchor. Fix the mounting base to the wall with self-tapping screw. The distance between the center of mounting base and inlet pipe is 750mm.