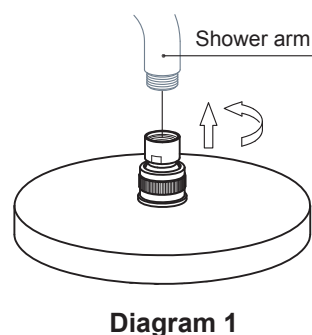
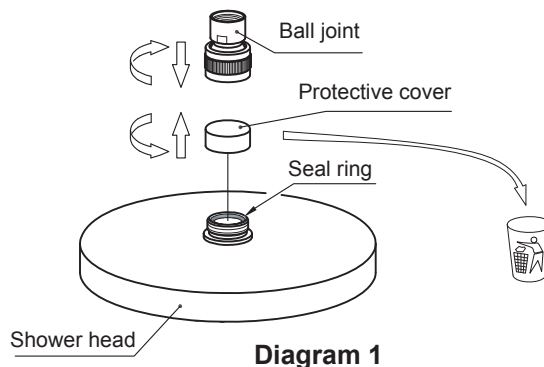


# INSTRUCTION MANUAL

BS03731630

## ■ Installation Steps

1. Take the protective cover off the shower head as shown in Diagram 1 (Do not drop the seal ring), install the ball joint on the shower head, and tighten the nut.
2. Install the shower head to the shower arm (see Diagram 2), and make sure to tighten to prevent it from loosening when in use.
3. When finished, run the water to check if the installation is correct.



\* The installation diagram is only for reference, the product is subject to the real object.

## I. Installation Notice:

1. Please lay water pipes in accordance with this manual.
2. Floor drain should be installed on the site.
3. Faucets should be installed only after the completion of house interior decoration in case paint or other chemicals erode the faucet surface.
4. Clean pipes to get rid of mud, sand or other debris blocked in pipes before installation.
5. Check whether the threads can be matched. Otherwise, install forcefully will damage the components.
6. After installation, check all the joints to make sure they are firmly connected. Then keep water flow. Turn on and off repeatedly to ensure no leaking problem. After that, the product is ready for normal use.
7. Hand the manual to users.

## II. Operation Notice:

1. The product is used under water pressure 0.05~0.5 MPa, water temperature 4~70°C.
2. Do not hang heavy things on the faucet.
3. Remember to turn off the faucet when no water comes out of it (especially when nobody in the house or during the decoration period or power off).
4. Clean the surface of faucet regularly to keep it bright. Note: Please do not use inappropriate tools such as sharp brushes, rough sponges, scouring pads or corrosive detergent. And it is not recommend to use the detergent sold in the market, because its formula changes frequently. Please clean the faucet with wet cloth and soapy water after some time of usage. Then rinse the soap out with clean water and dry with a soft cotton cloth.
5. Adjust the temperature before use (Do not stand right below the shower head) to avoid scald.
6. Do not disassemble the product without help from the professionals.

## ■ Cleaning:

If flow rate gradually decreases after some time, it usually results from poor water quality leading to filter blockage. Take off the filter as shown in Diagram 3, clean it with vinegar and brush, rinse and reassemble all parts back. If water sprays unevenly or some of nozzles do not spray, it usually results from blockage of nozzles. Please scrub those nozzles that do not work well as shown in Diagram 4, run the water and flush remaining limescale.

