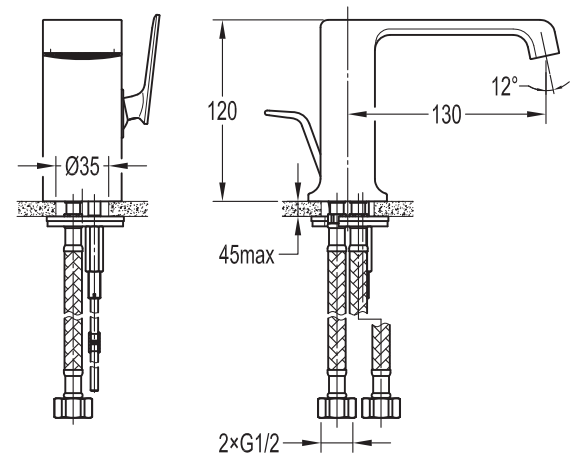


INSTRUCTION MANUAL

BS02691948

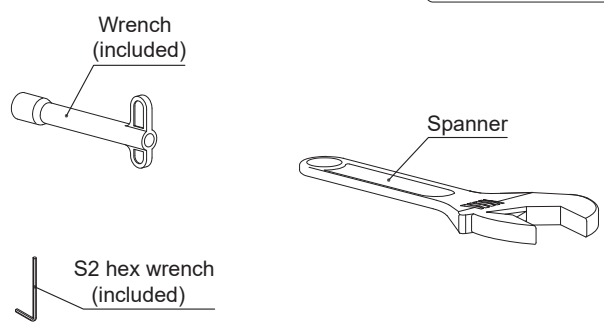
III. Installation Diagram



IV. Installation Steps(Fig.1-6): * The installation diagram is only for reference. The product is subject to the real object.

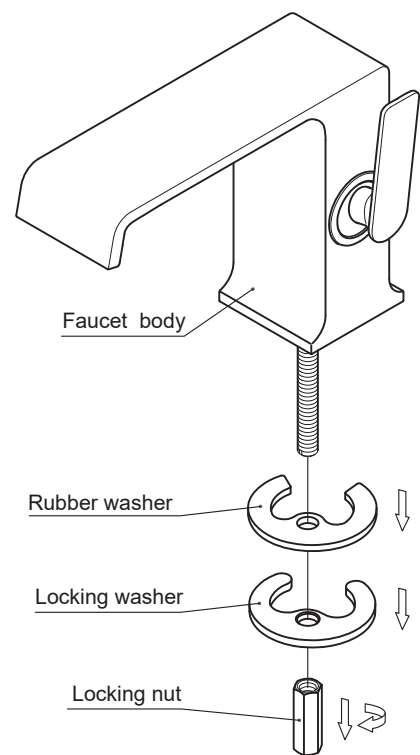
1

Prepare and check the following tools.



2

Take the locking nut, locking washer and rubber washer off the faucet body.



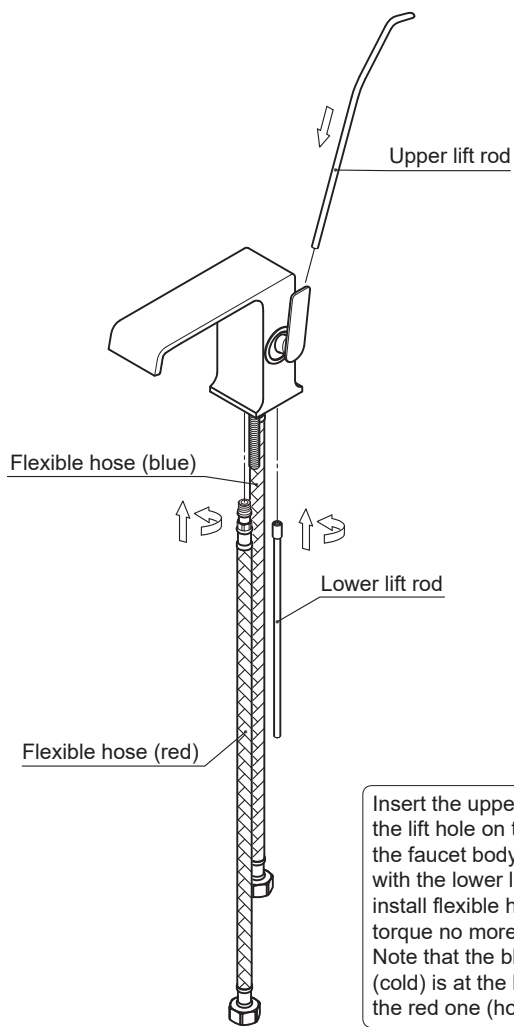
I. Installation Notice

1. Install water pipes in accordance with this manual.
2. Floor drain should be installed on the site, and the countertop should be flat.
3. All the components except mixer body should be installed only after the completion of house interior decoration in case paint or other chemicals erode the mixer surface.
4. Clean pipes to get rid of mud, sand or other debris blocked in pipes before installation.
5. If the thread does not match well with the water pipe, please find out the reason first; otherwise a forced connection will damage the faucet.
6. After installation, check all the joints to ensure they are firmly connected. Turn on and off the water repeatedly to ensure there is no leakage around the joints. After that, the product is ready for normal use.
7. Hand the manual to users.

II. Operation Notice

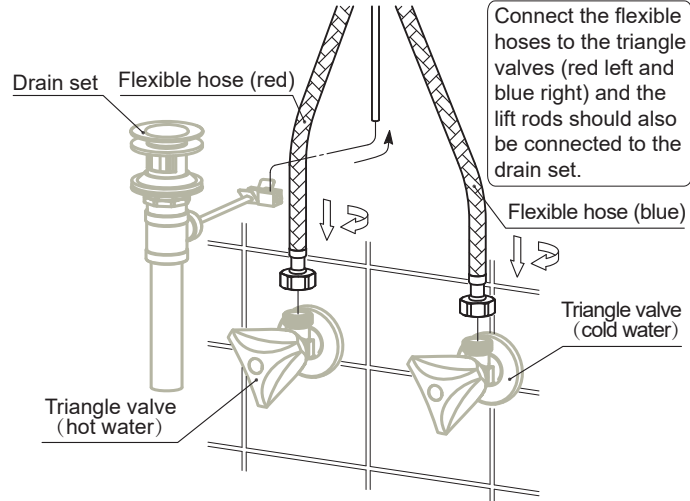
1. The product is used under water pressure 0.05~1.0 MPa, water temperature 4~90°C.
2. Do not hang heavy objects on the mixer.
3. Make sure the faucet is off when no water comes out of it, especially when nobody resides in or during the period of decoration or suspension of water.
4. Regularly clean the surface of faucet to keep it bright. Attention: Do not use inappropriate tools such as sharp brushes, rough sponges, scouring pads or corrosive detergent to clean the faucet. It is not recommended to use the detergent sold in the market, because its formula changes frequently. Please clean the faucet with wet cloth and soapy water after usage. Then rinse the soap off with clean water and dry with a soft cotton cloth.
5. Residues of shampoo, shower gel, hair dye, perfume, shaving water, nail polish, toothpaste and other substances may cause damage to the product. Please carefully rinse residues with clean water after use. Also, do not store detergents and chemicals under the product, such place as vanity cabinet of washbasin; otherwise volatile gases will damage the product.
6. When indoor temperature drops below 0°C, take necessary measures (keep the product warm, close windows) to prevent the product from frost cracking (especially when windows open for air ventilation while nobody in the house).
7. Adjust the temperature before use to avoid scald.
8. Do not disassemble the product without help from the professionals.

3



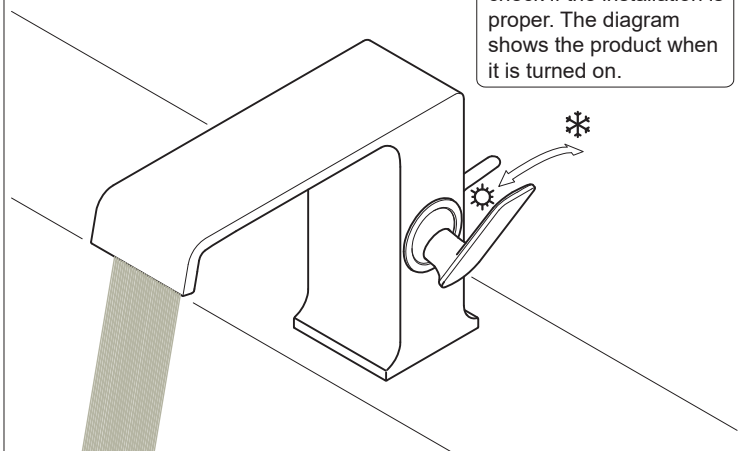
Insert the upper lift rod into the lift hole on the back of the faucet body to connect with the lower lift rod. Then install flexible hoses with torque no more than 5N·m. Note that the blue hose (cold) is at the back and the red one (hot) is in front.

5



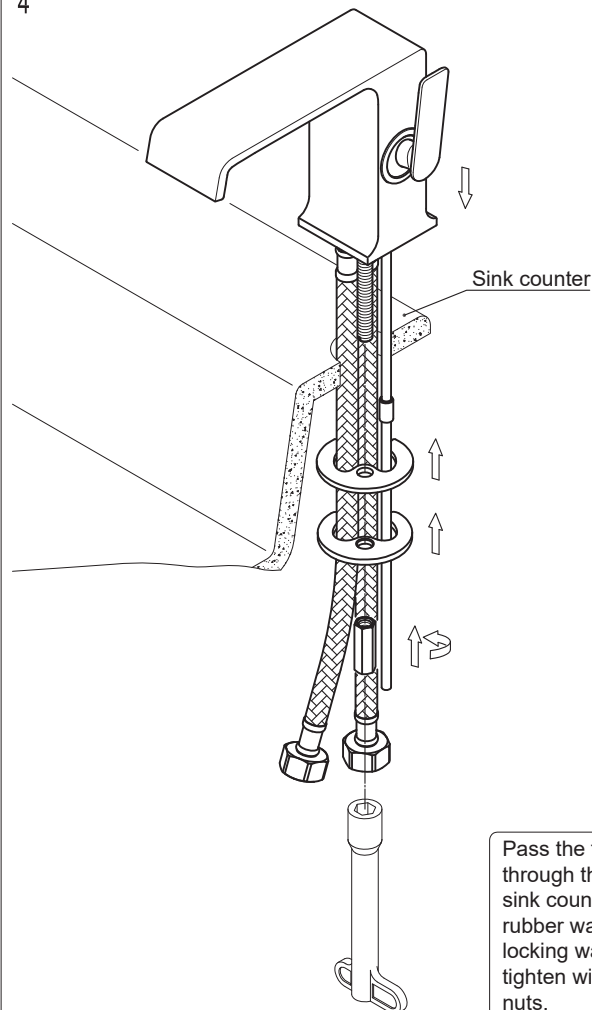
Connect the flexible hoses to the triangle valves (red left and blue right) and the lift rods should also be connected to the drain set.

6



When completed, double check if the installation is proper. The diagram shows the product when it is turned on.

4

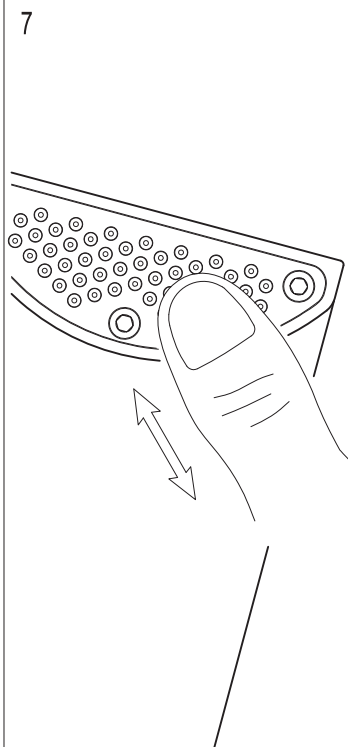


Pass the faucet body through the hole of the sink counter. Install the rubber washer and locking washer, then tighten with the locking nuts.

V. Maintenance (Fig.7-8):

If the water flow is lessened or does not spray evenly after a period of usage, it is possibly because water of poor quality blocks the nozzles. Please gently squeeze those rubber nozzles with fingers as shown in Diagram 7 and clean up the debris. If the flow rate is still lessened, it is possibly because dirt or debris blocks the core piece and filter. Please take off the fixing plate, deflector, filter and core piece as shown in Diagram 8 and clean up the debris. Then assemble them back accordingly.

7



8

