

INSTRUCTION MANUAL

BS85182226

III. Operation Notice

1. The product is used at cold water temperature 4~29°C, hot water temperature 45~85°C and water pressure 0.05 ~1.0MPa. Please avoid large pressure difference between hot and cold water. The optimal working condition is at water pressure 0.3MPa, cold water temperature 15°C, hot water temperature 65°C. Main valve should be equipped with a filter.
2. Do not hang heavy objects on the mixer. To avoid using the faucet as handrail, a separate handrail must be installed if needed.
3. Make sure the faucet is off when no water comes out of it, especially when nobody resides in or during the period of decoration or suspension of water.
4. Regularly clean the surface of faucet to keep it bright. Attention: Do not use inappropriate tools such as sharp brushes, rough sponges, scouring pads or corrosive detergent to clean the faucet. It is not recommended to use the detergent sold in the market, because its formula changes frequently. Please clean the faucet with wet cloth and soapy water after usage. Then rinse the soap off with clean water and dry with a soft cotton cloth.
5. Residues of shampoo, shower gel, hair dye, perfume, shaving water, nail polish, toothpaste and other substances may cause damage to the product. Please carefully rinse residues with clean water after use. Also, do not store detergents and chemicals under the product, such place as vanity cabinet of washbasin; otherwise volatile gases will damage the product.
6. When room temperature falls below 0°C, take necessary measures (keep the product warm, close windows) to prevent the product from frost cracking, especially when windows open for air ventilation while nobody in the house.
7. Turn on the cold water first, then hot water. Adjust the temperature before use to avoid scald.
8. Children, adults with mental disorders should not be allowed to use the shower system without supervision, nor should people affected by alcohol or drugs.
9. Do not disassemble the product without help from the professionals.

I. Installation Notice

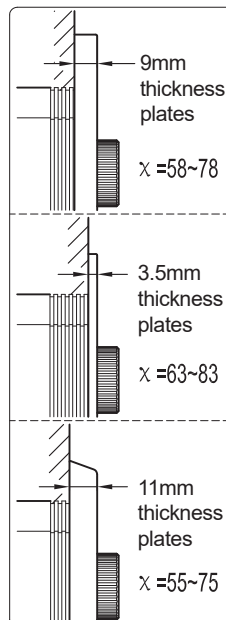
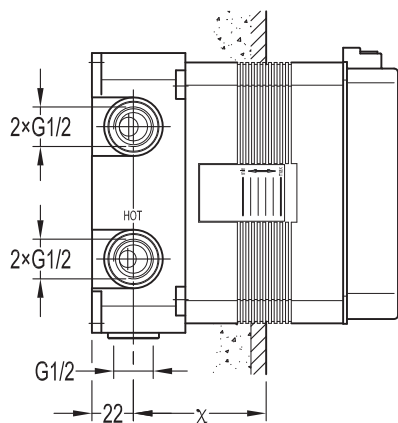
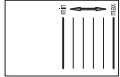
1. Install water pipes in accordance with this manual. Floor drain should be installed onsite.
2. All the components except mixer body should be installed only after the completion of house interior decoration in case paint or other chemicals erode the mixer surface.
3. Run water to clean pipes so as to get rid of mud, sand or other debris blocked in pipes before installation. Before tiling, run water to perform pressurized test and make sure no leakage after connecting pipes. If the thread does not match well with the water pipe, please identify the cause first; otherwise a forced connection will damage the product.
4. After installation, check all the joints to ensure they are firmly connected. Turn on and off the water repeatedly to ensure there is no leakage around the joints. After that, the product is ready for normal use.
5. Keep the manual to users.

II. Installation Diagram



The finished wall must be located within the reference lines.

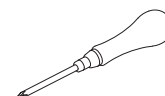
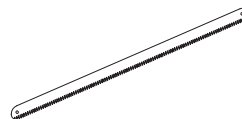
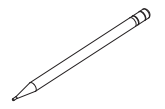
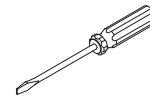
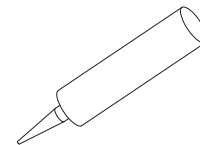
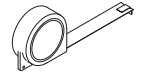
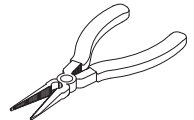
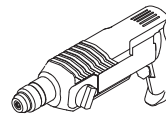
Reference lines for the finished wall



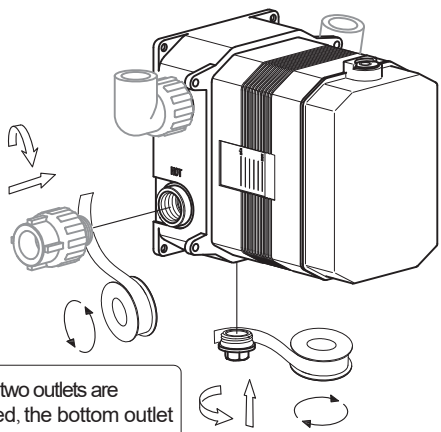
IV. Installation Steps (Fig.1-24):*

*The installation diagram is only for reference. The product is subject to the real object.

1

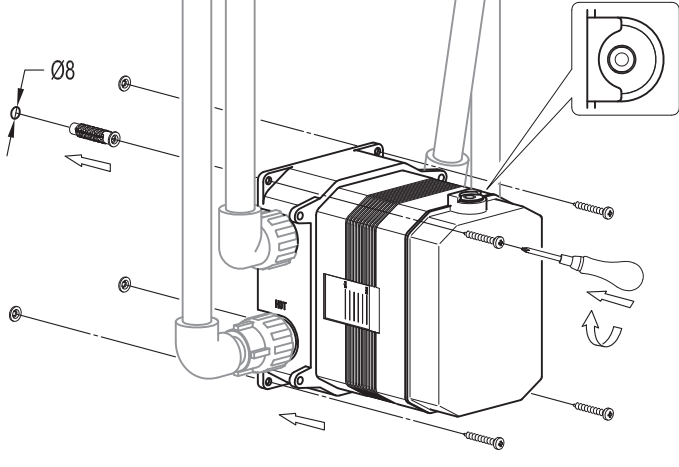


2a

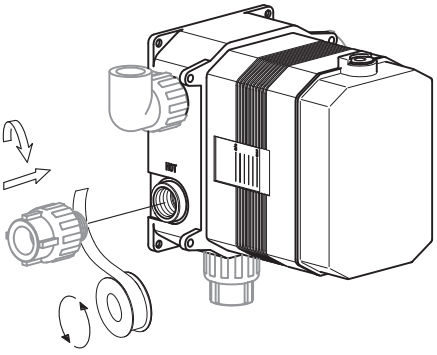


! If only two outlets are needed, the bottom outlet needs to be blocked.

4a2



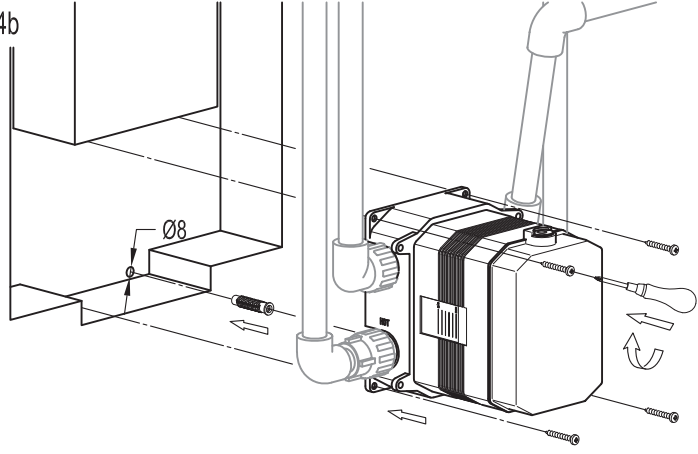
2b



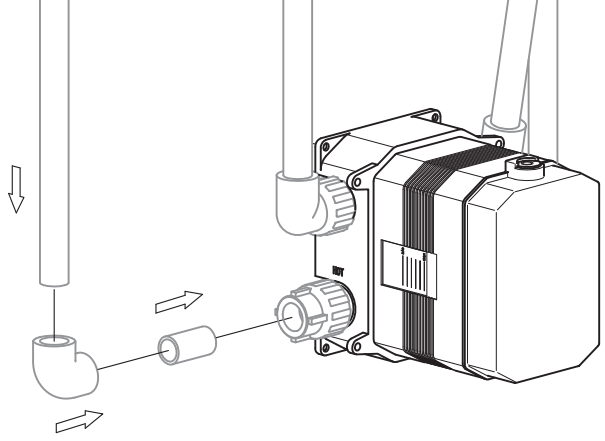
! If all three outlets are needed, an additional control valve with ON/OFF function needs to be installed to the bottom outlet.

ON/OFF control valve example

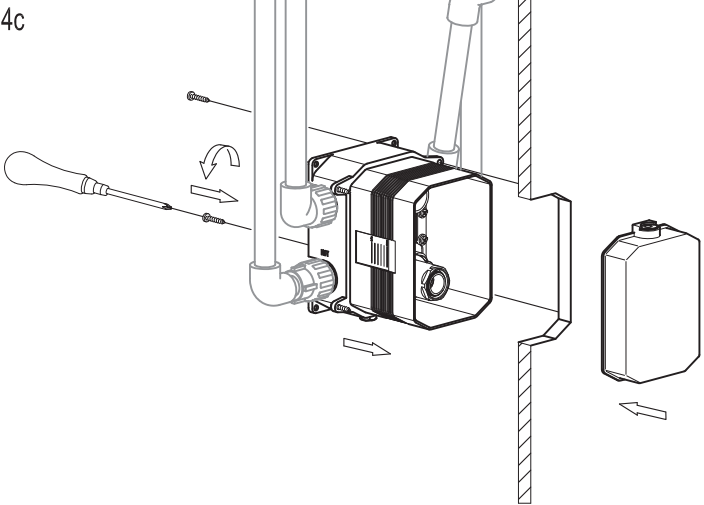
4b



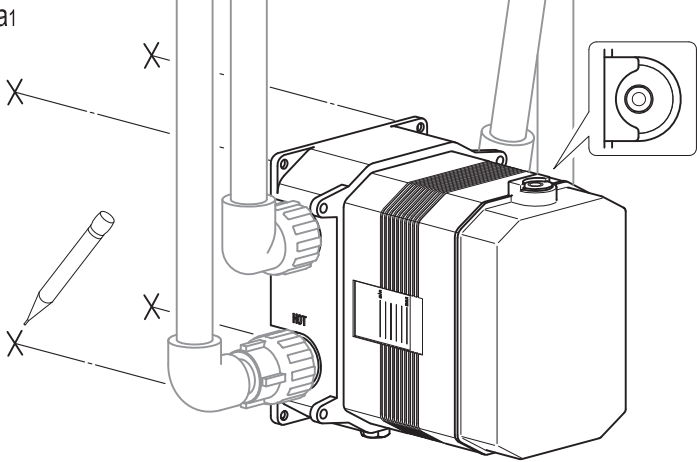
3



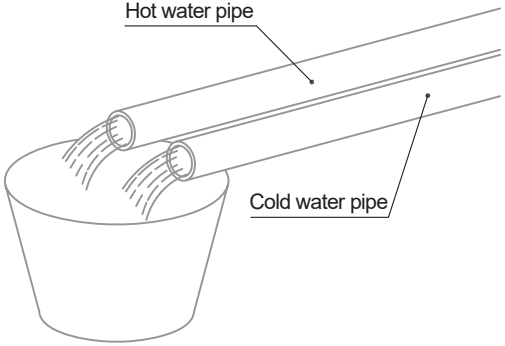
4c

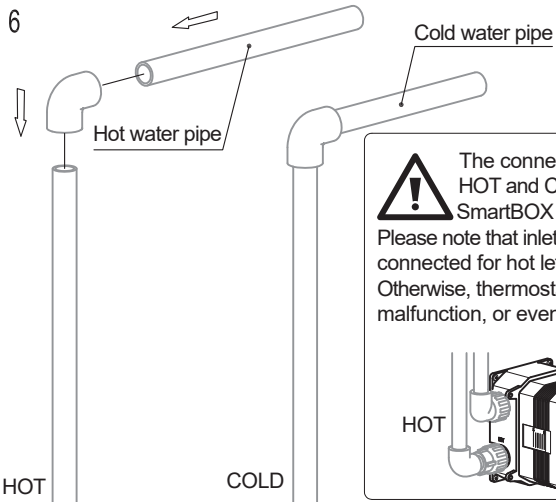



4a1

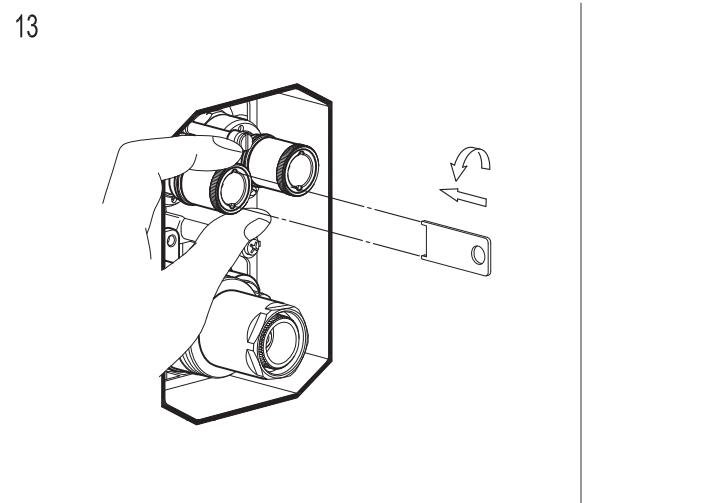
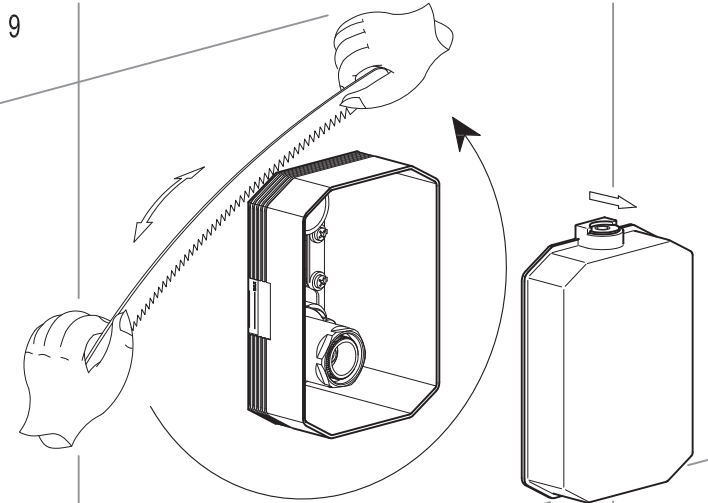
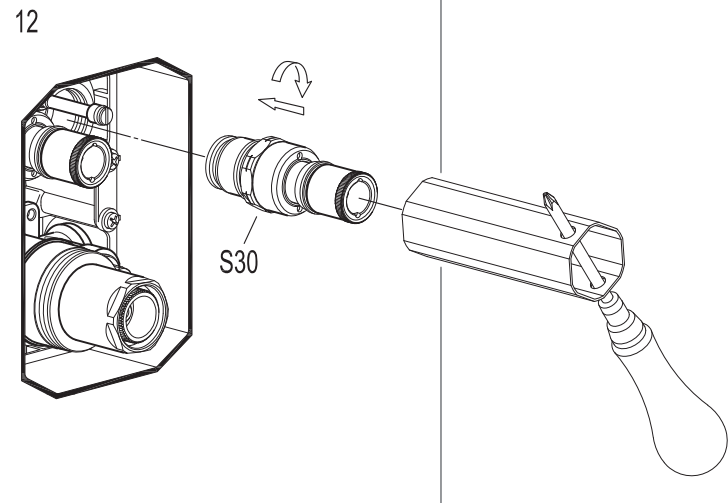
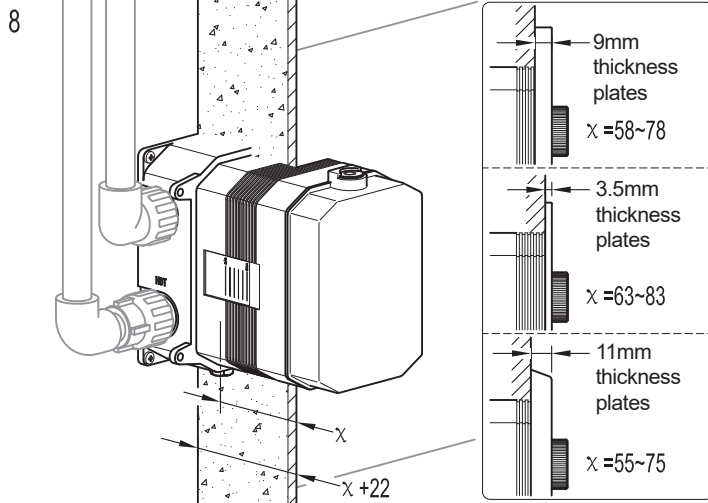
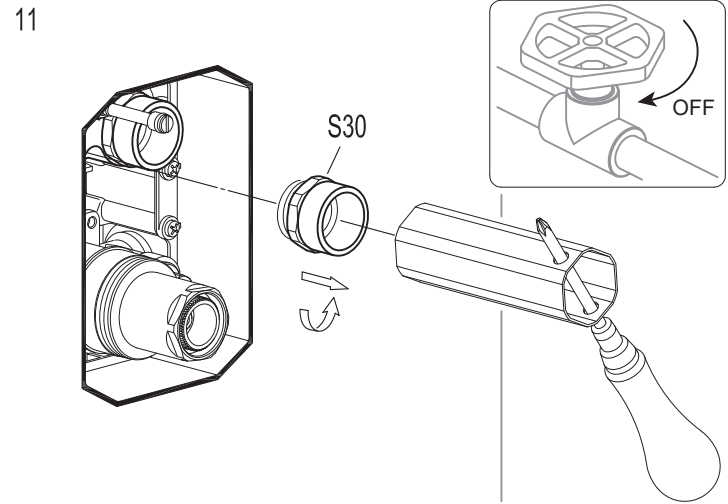
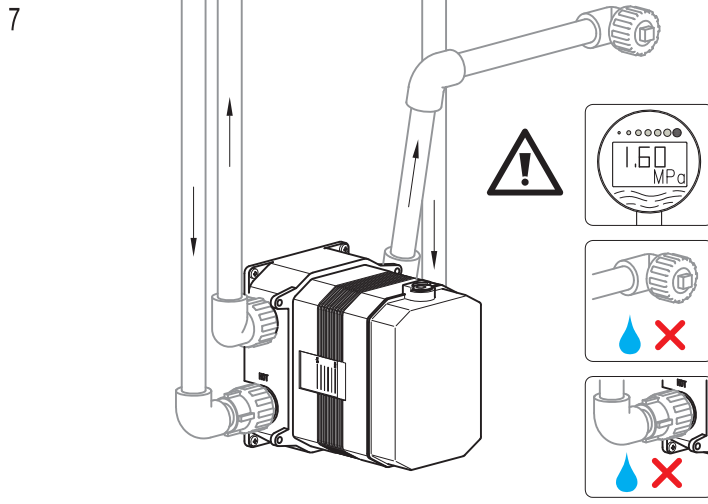
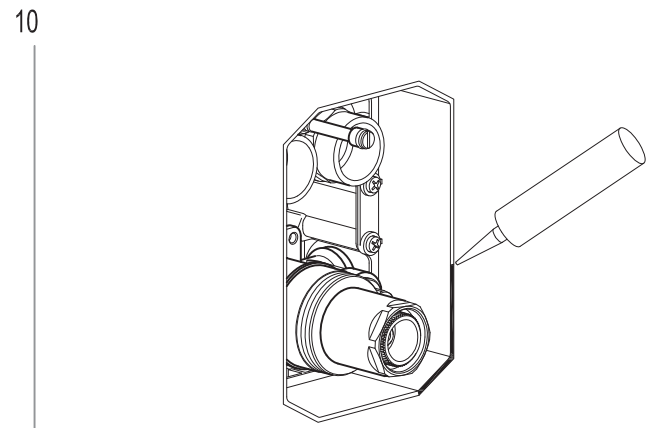
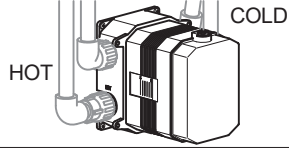


5



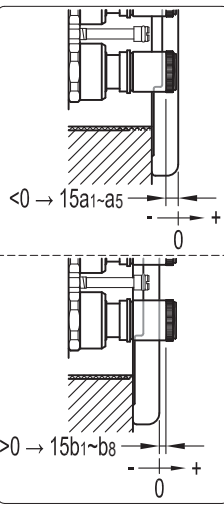
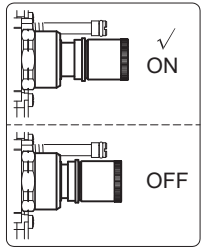


 The connector marked with HOT and COLD on the SmartBOX are water inlets. Please note that inlets must be connected for hot left and cold right. Otherwise, thermostatic cartridge will malfunction, or even cause scalding.



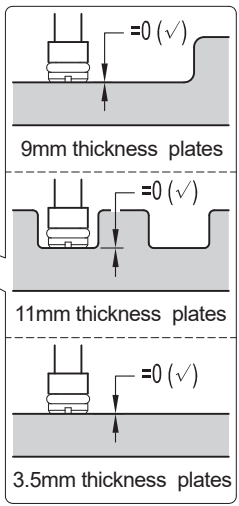
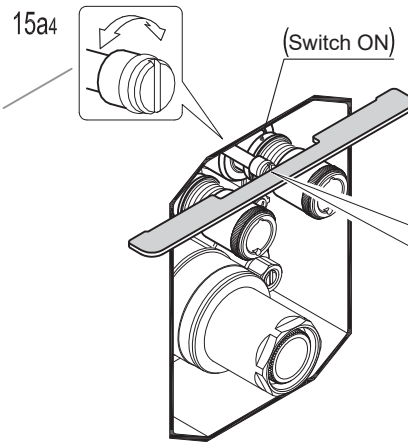
14

(Switch ON)



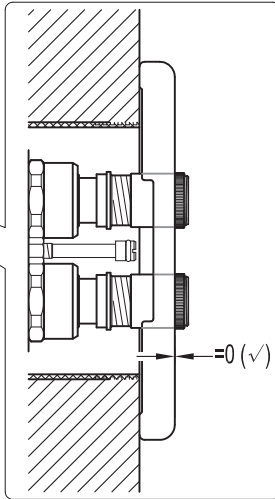
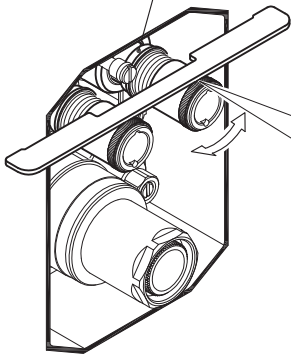
15a4

(Switch ON)

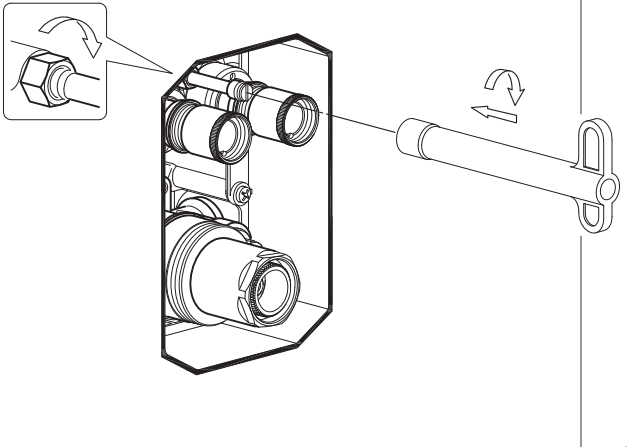


15a1

(Switch ON)

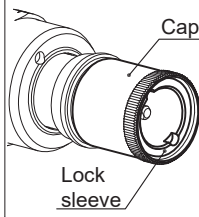
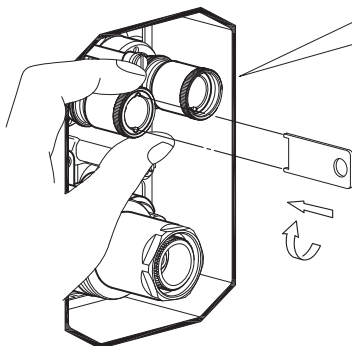


15a5

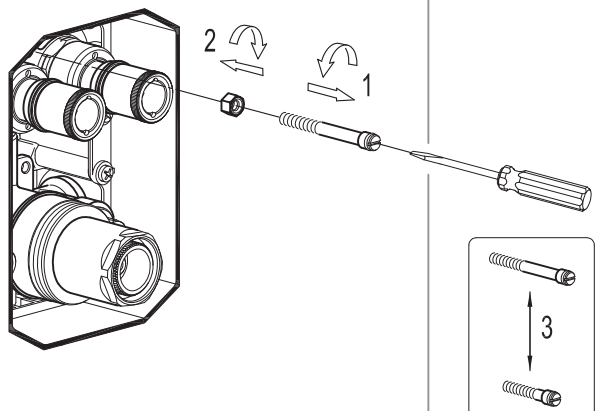


15a2

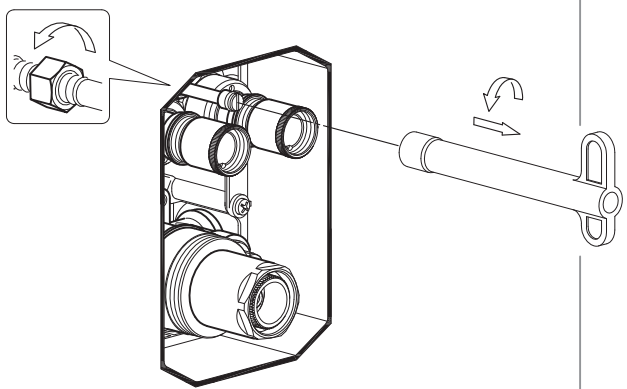
! While holding the knurled part on the cap with one hand, tighten the lock sleeve with a locking wrench by the other hand. Ensure that the cap remains still during this process.



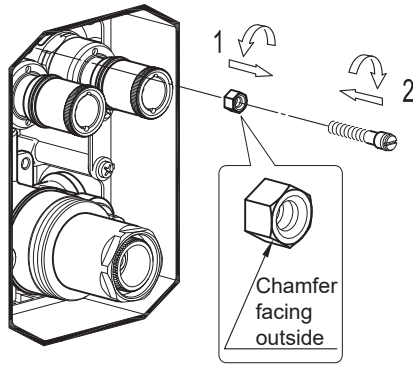
15b1



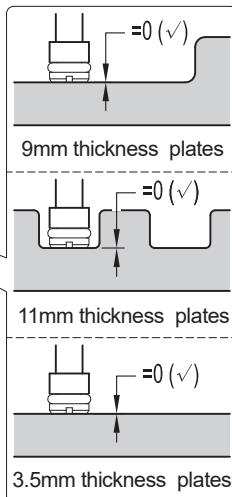
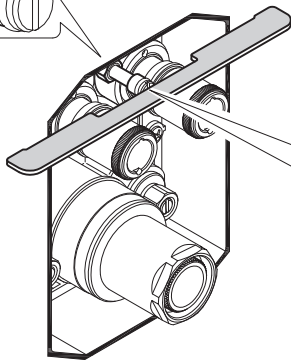
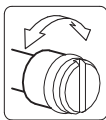
15a3



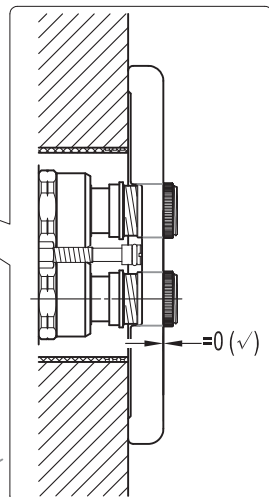
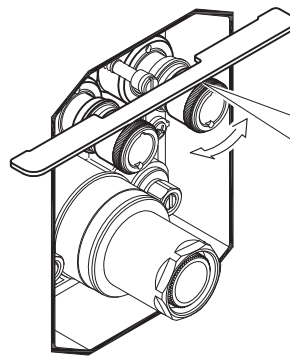
15b2



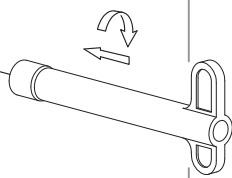
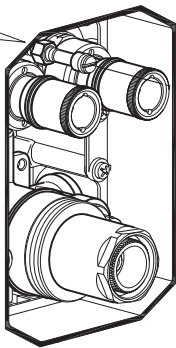
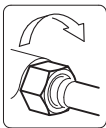
15b3



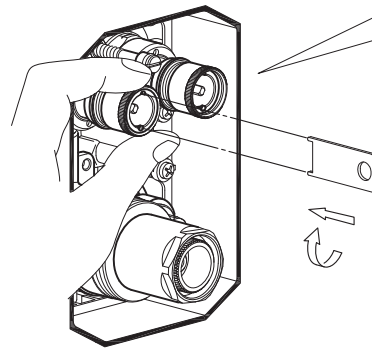
15b7



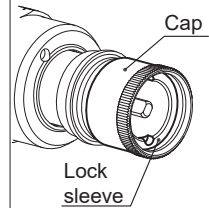
15b4



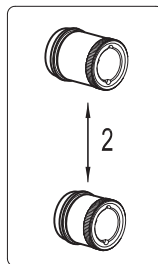
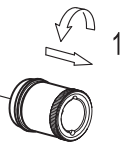
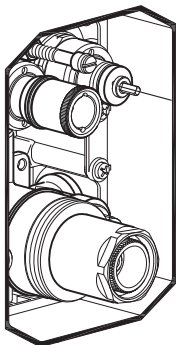
15b8



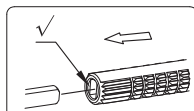
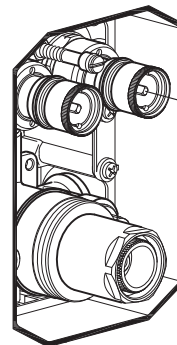
While holding the knurled part on the cap with one hand, tighten the lock sleeve with a locking wrench by the other hand. Ensure that the cap remains still during this process.



15b5

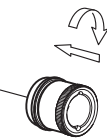
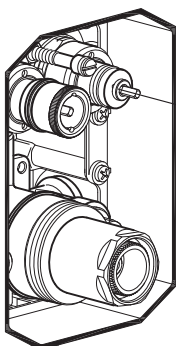


16

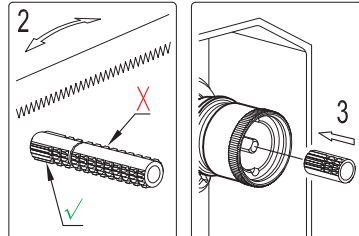
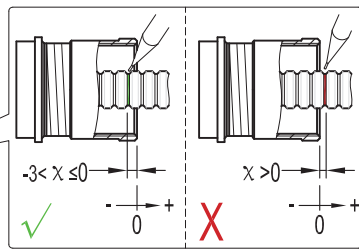
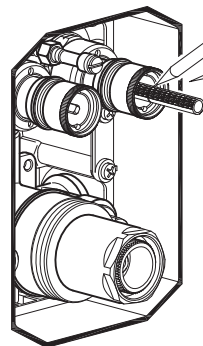


Gently install the connecting rod onto the adjusting rod until it reaches the end.

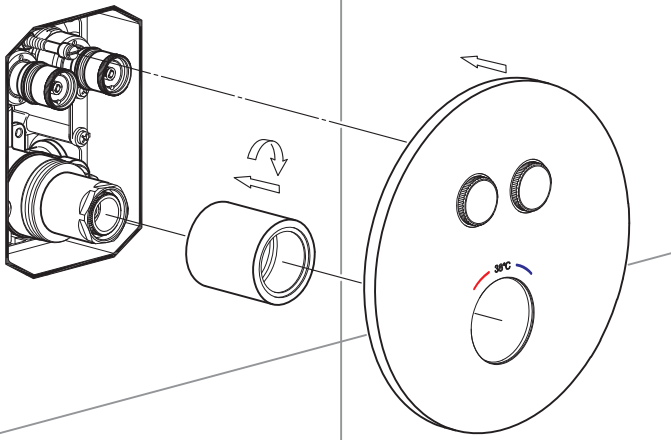
15b6



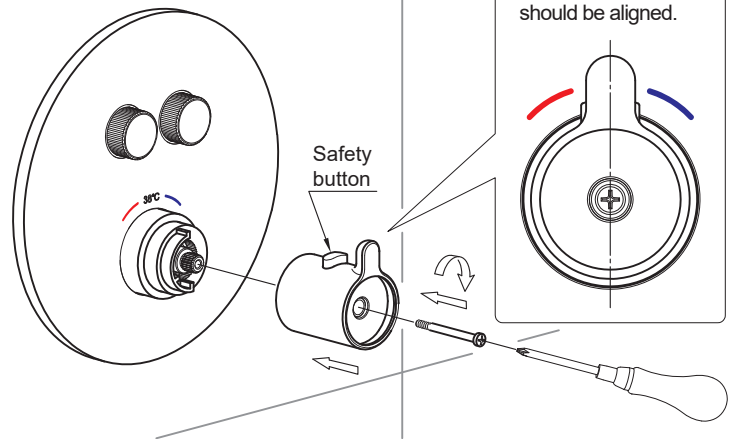
17



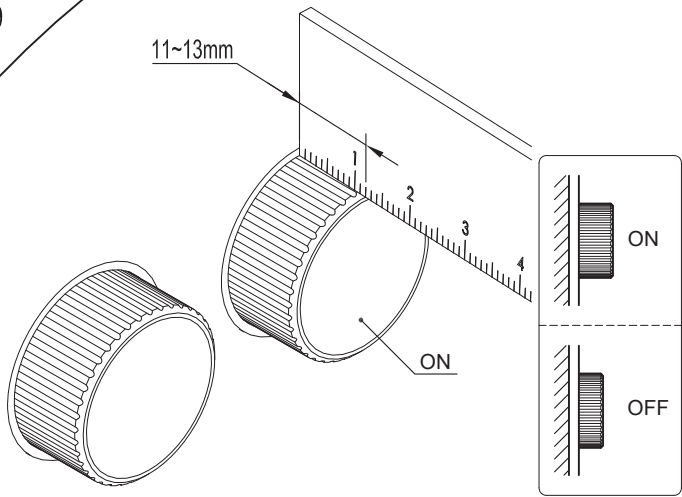
18



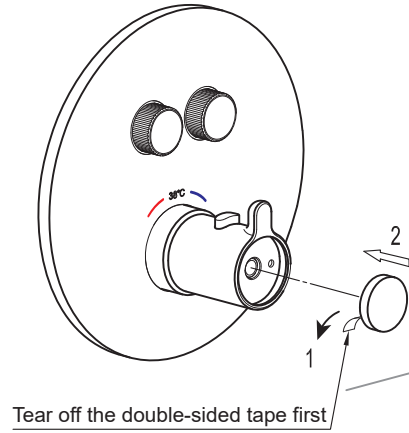
22



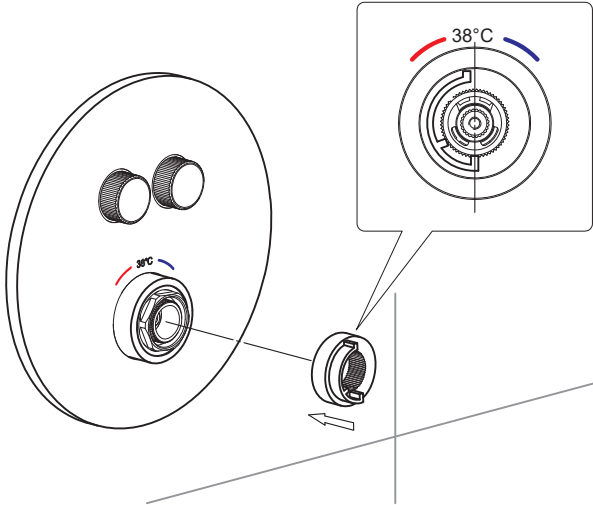
19



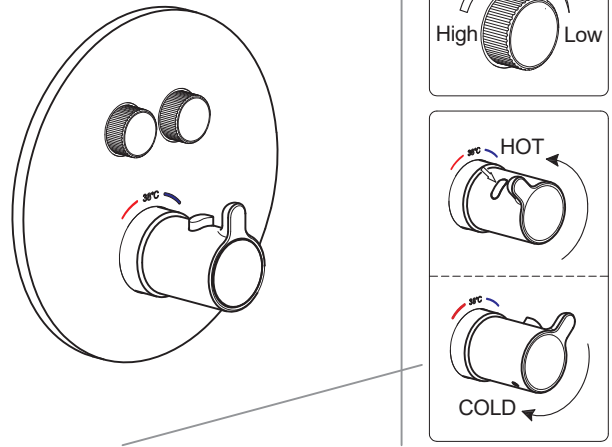
23



20



24



21

