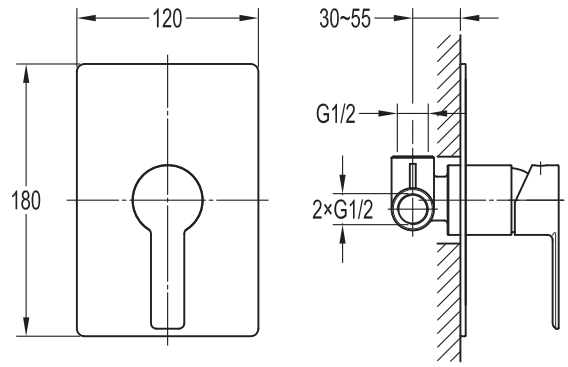


INSTRUCTION MANUAL

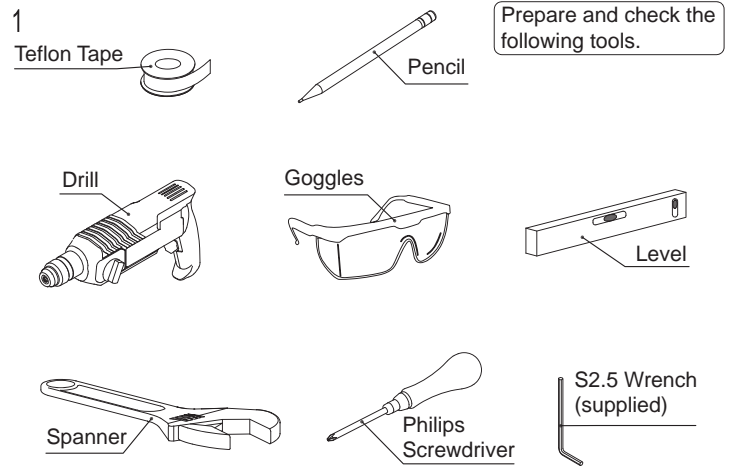
BS03941731

III. Installation Diagram



IV. Installation Steps(Fig.1-11) : *

The installation diagram is only for reference. The product is subject to the real object.

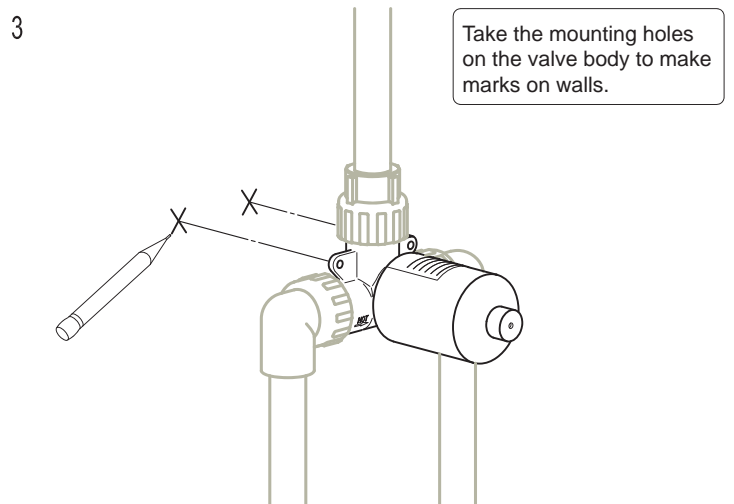
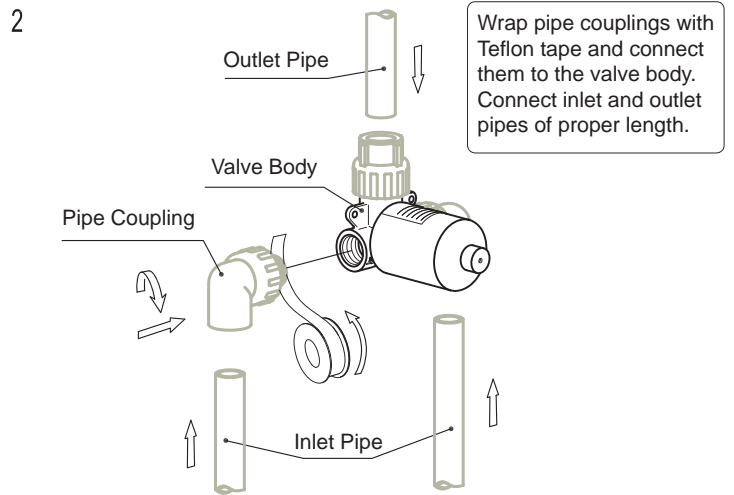


I. Installation Notice

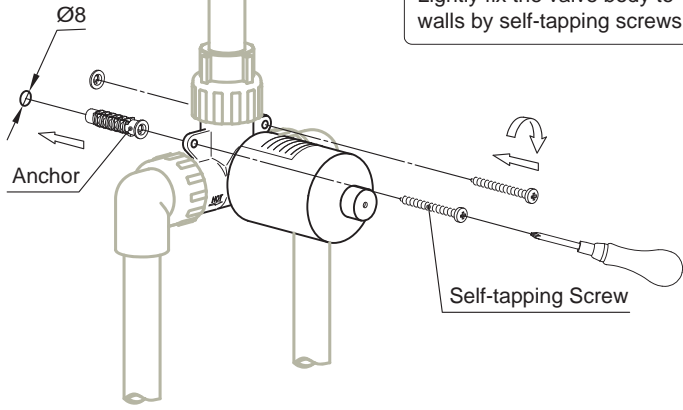
1. Please lay water pipes in accordance with this manual.
2. Floor drain should be installed on the site.
3. Mixers should be installed only after the completion of house interior decoration in case paint or other chemicals erode the mixer surface.
4. Clean pipes to get rid of mud, sand or other debris blocked in pipes before installation.
5. Check whether the threads can be matched. Otherwise, install forcefull will damage the components.
6. After installation, check all the joints to make sure they are firmly connected. Then keep water flow. Turn on and off repeatedly to ensure no leaking problem. After that, the product is ready for normal use.
7. Hand the manual to users.

II. Operation Notice

1. The product is used under water pressure 0.05~1.0MPa and water temperature 4~90°C.
2. Do not hang heavy things on the mixer.
3. Remember to turn off the mixer when no water comes out of it (especially when nobody in the house or during the decoration period or power off).
4. Clean the surface of mixer regularly to keep it bright. Note: Please do not use inappropriate tools such as sharp brushes, rough sponges, scouring pads or corrosive detergent. And it is not recommended to use the detergent sold in the market, because its formula changes frequently. Please clean the mixer with wet cloth and soapy water after some time of usage. Then rinse the soap off with clean water and dry with a soft cotton cloth.
5. When indoor temperature drops below 0°C, take necessary measures (keep mixer warm, close windows) to prevent the mixer from frost cracking (especially when windows are kept open for ventilation while nobody in the house).
6. Run cold water first and then run hot water, adjust the temperature before in use. Do not touch the hot water area of the mixer to avoid injury.
7. Do not disassemble the product without help from the professionals.

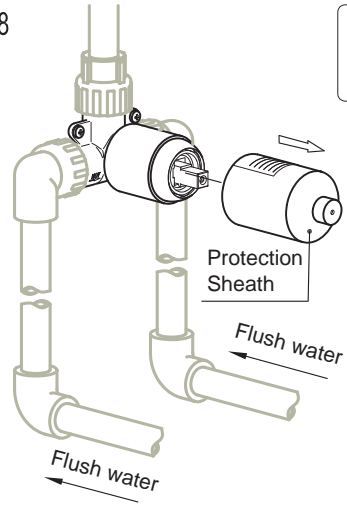


4

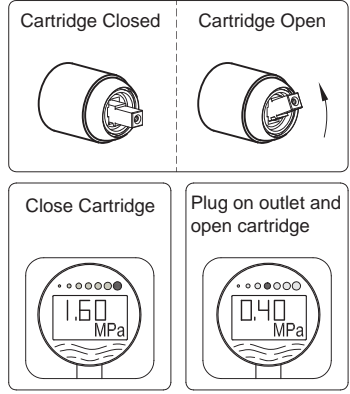


Drill two Ø8 holes at marked positions and insert anchors. Lightly fix the valve body to walls by self-tapping screws

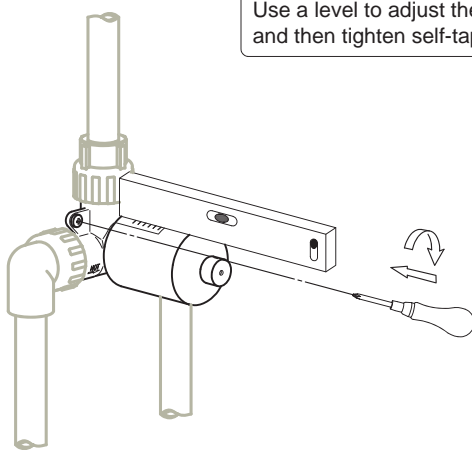
8



Remove the protection sheath and flow water to test there is no leakage. Then put back the protection sheath.

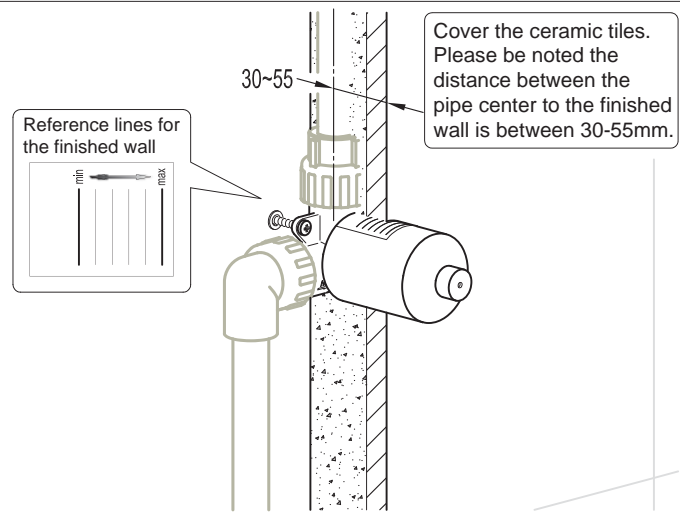


5



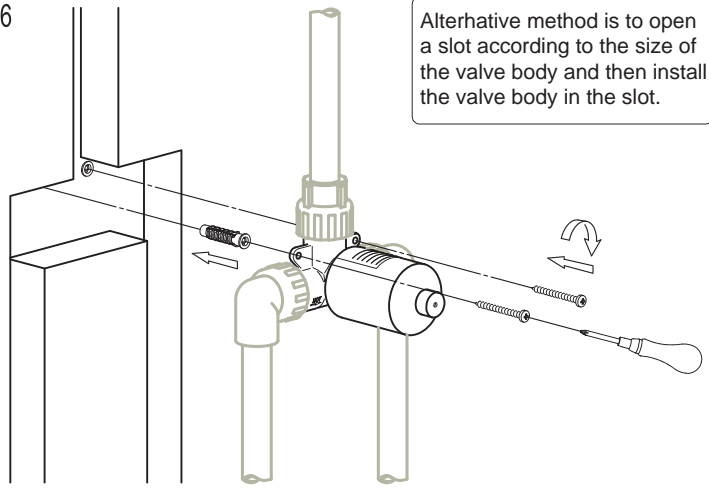
Use a level to adjust the valve body and then tighten self-tapping screws.

9



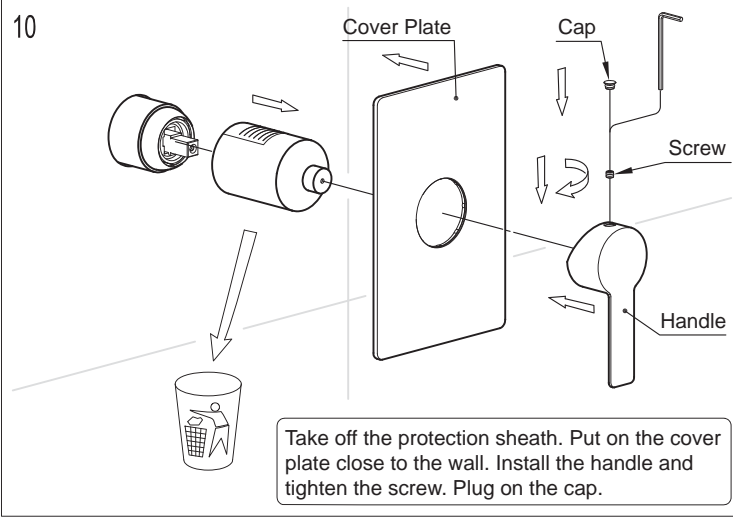
Cover the ceramic tiles. Please be noted the distance between the pipe center to the finished wall is between 30-55mm.

6



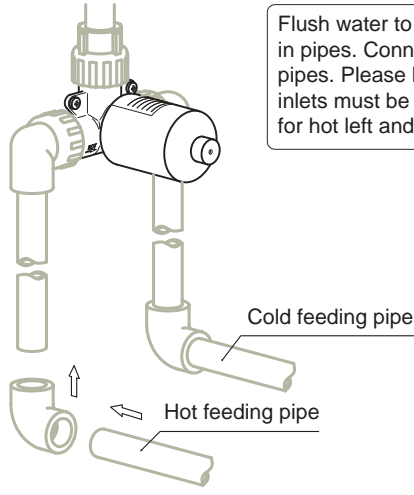
Alternative method is to open a slot according to the size of the valve body and then install the valve body in the slot.

10



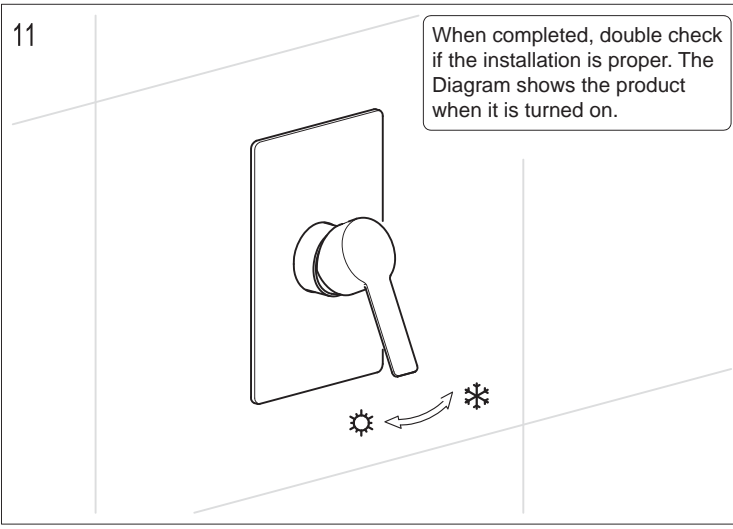
Take off the protection sheath. Put on the cover plate close to the wall. Install the handle and tighten the screw. Plug on the cap.

7



Flush water to get rid of dirt in pipes. Connect water pipes. Please be noted that inlets must be connected for hot left and cold right.

11



When completed, double check if the installation is proper. The Diagram shows the product when it is turned on.