

INSTRUCTION MANUAL

BS03241313

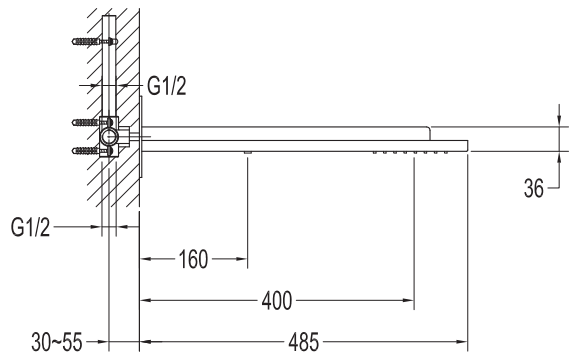
I. Installation Notice

1. Install water pipes in accordance with this manual.
2. Floor drain should be installed on the site.
3. All the components except shower head rough-in should be installed only after the completion of house interior decoration in case paint or other chemicals erode the mixer surface. Before that, the protection sheath of the shower head rough-in can not be removed.
4. Run water to clean pipes so as to get rid of mud, sand or other debris blocked in pipes before installation.
5. If the thread does not match well with the water pipe, please identify the cause first; otherwise a forced connection will damage the product.
6. After installation, check all the joints to ensure they are firmly connected. Turn on and off the water repeatedly to ensure there is no leakage around the joints. After that, the product is ready for normal use.
7. Keep the manual to users.

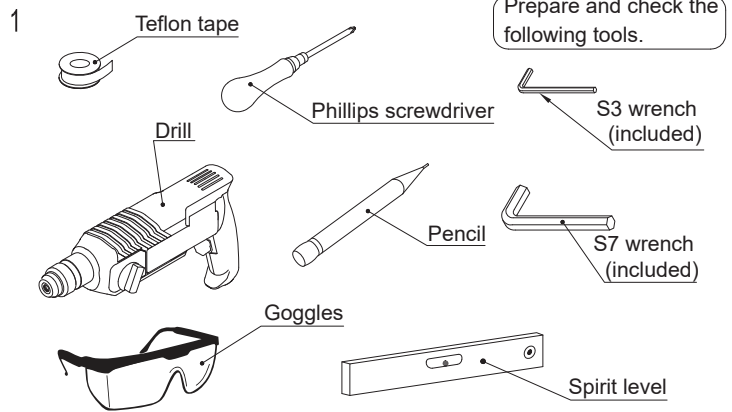
II. Operation Notice

1. The product is used at dynamic water temperature 0.2~1.0 MPa and water temperature 4~70°C.
2. Do not hang heavy objects on the product.
3. Make sure the faucet is off when no water comes out of it, especially when nobody resides in or during the period of decoration or suspension of water.
4. Regularly clean the surface of faucet to keep it bright. Attention: Do not use inappropriate tools such as sharp brushes, rough sponges, scouring pads or corrosive detergent to clean the faucet. It is not recommended to use the detergent sold in the market, because its formula changes frequently. Please clean the faucet with wet cloth and soapy water after usage. Then rinse the soap off with clean water and dry with a soft cotton cloth.
5. Turn on the cold water first, then hot water. Adjust the temperature before use to avoid scald.
6. Do not disassemble the product without help from the professionals.

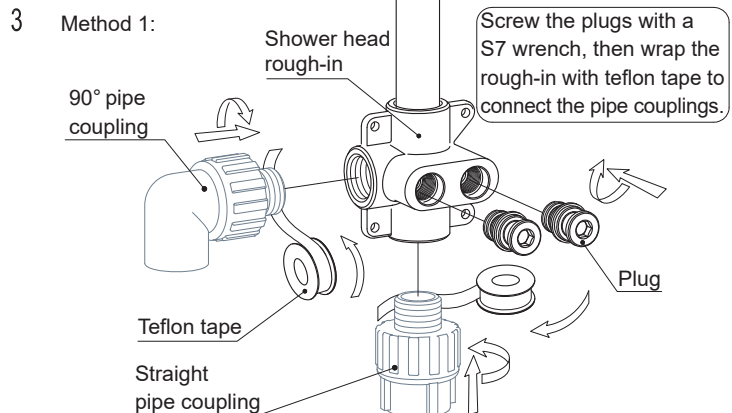
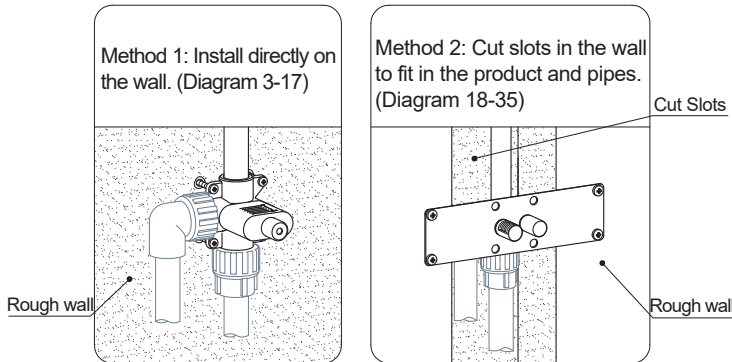
III. Installation Diagram



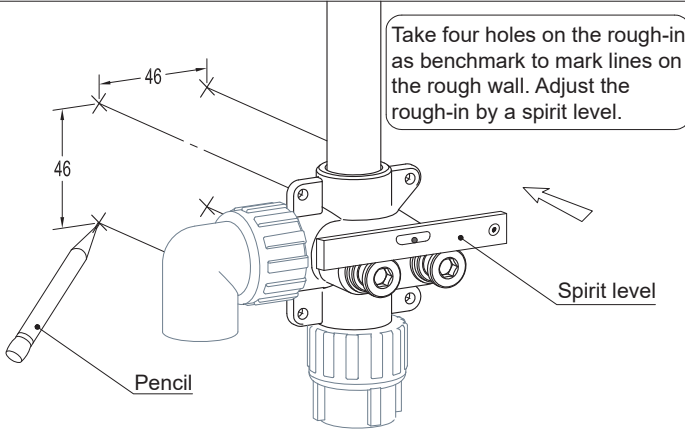
IV. Installation Steps (Fig.1-38):



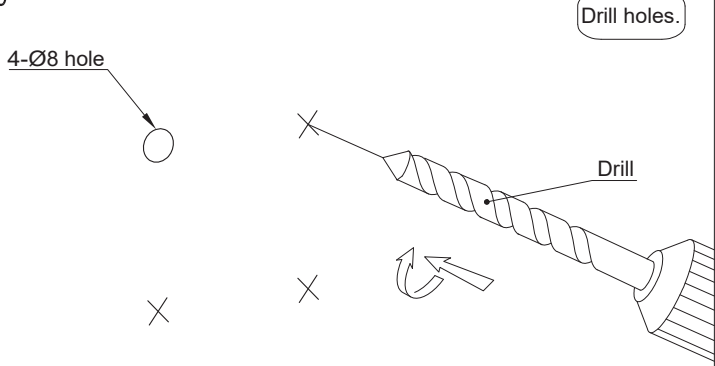
- 2
- Choose either installation method according to the wall structure or actual needs.



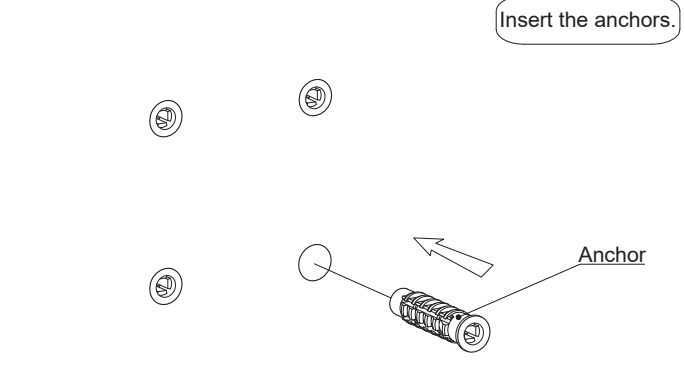
4



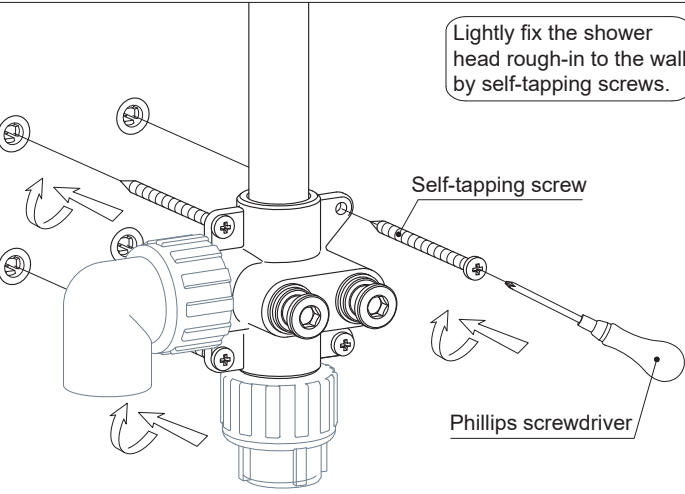
5



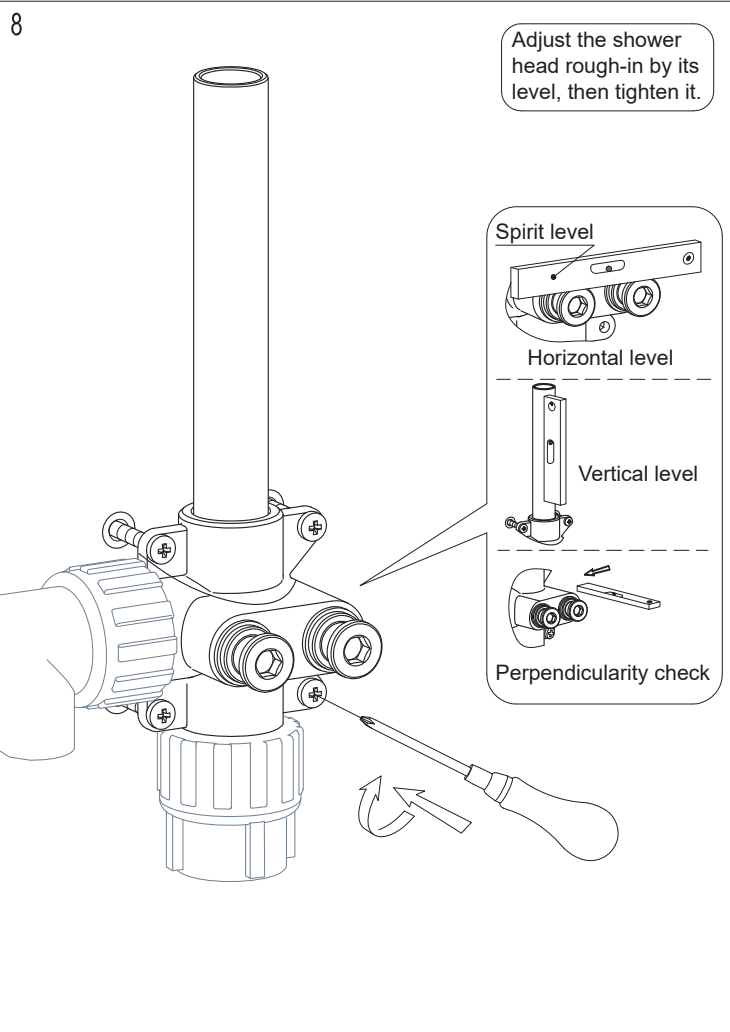
6



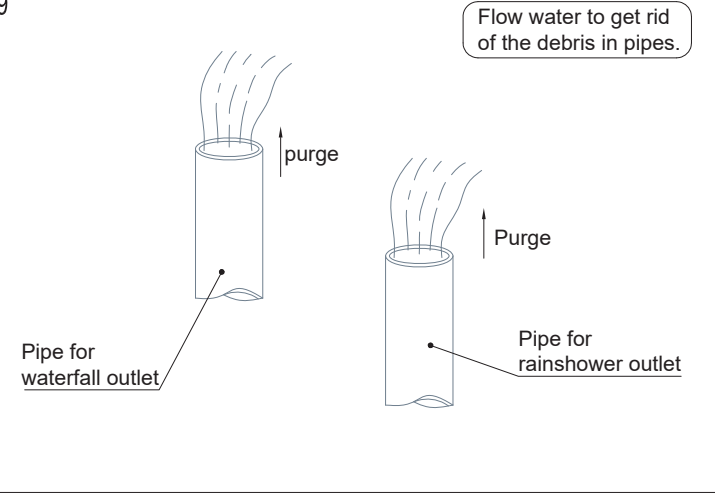
7



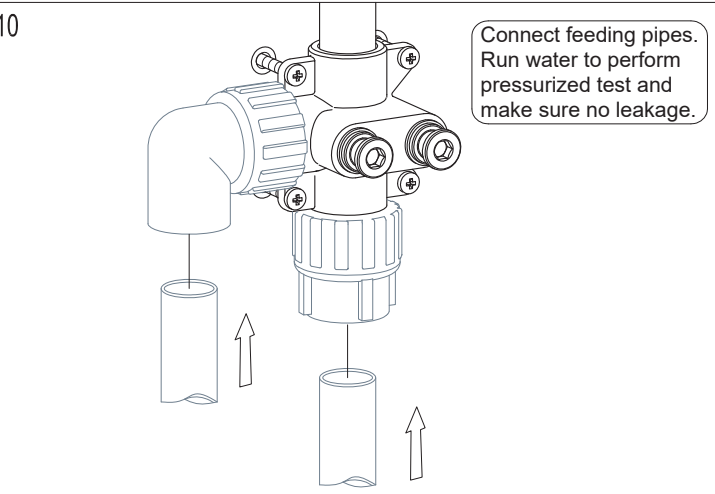
8



9

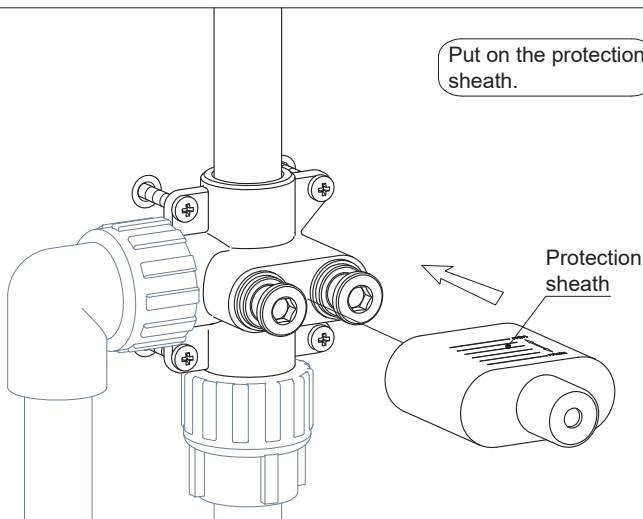


10



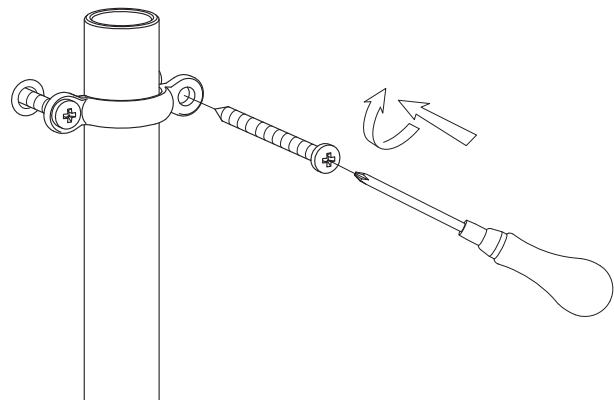
11

Put on the protection sheath.



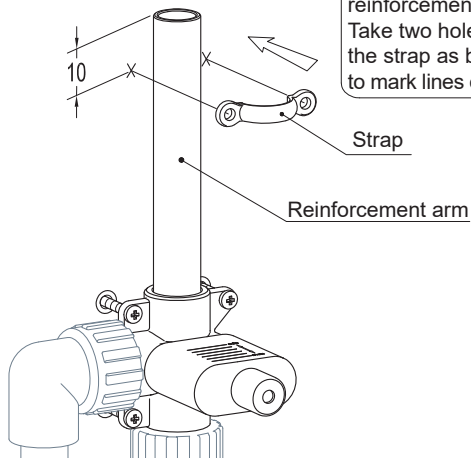
15

Then tighten the reinforcement arm with self-tapping screws.



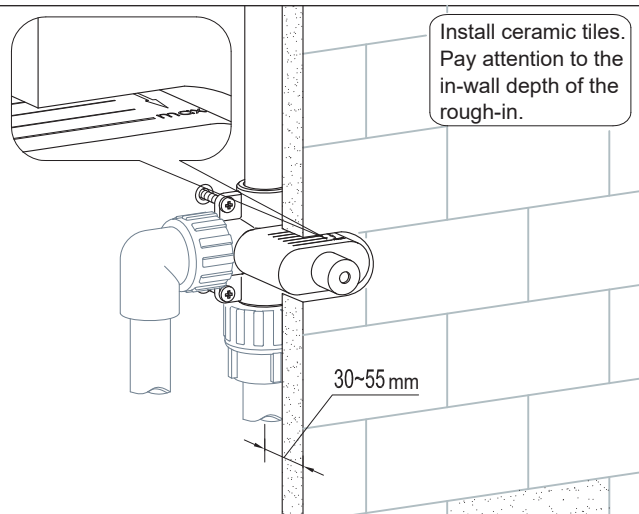
12

Put the strap onto the reinforcement arm. Take two holes on the strap as benchmark to mark lines on the wall.



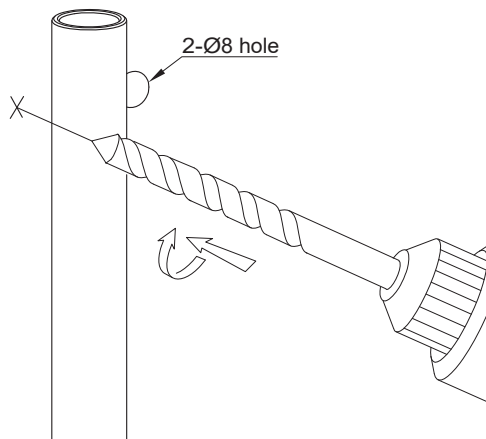
16

Install ceramic tiles. Pay attention to the in-wall depth of the rough-in.



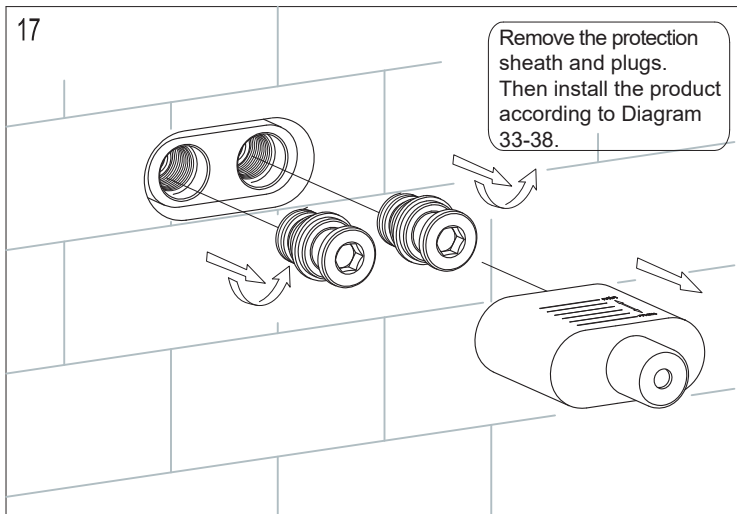
13

Drill holes.



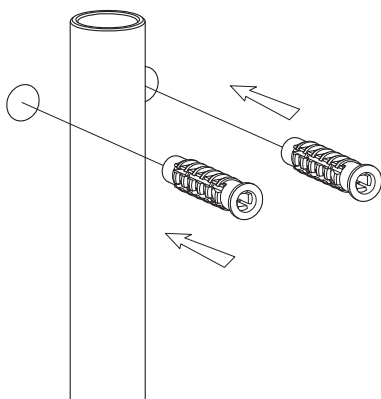
17

Remove the protection sheath and plugs. Then install the product according to Diagram 33-38.



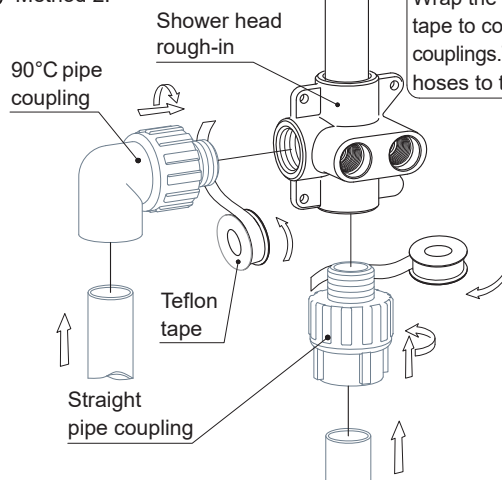
14

Insert the anchors.



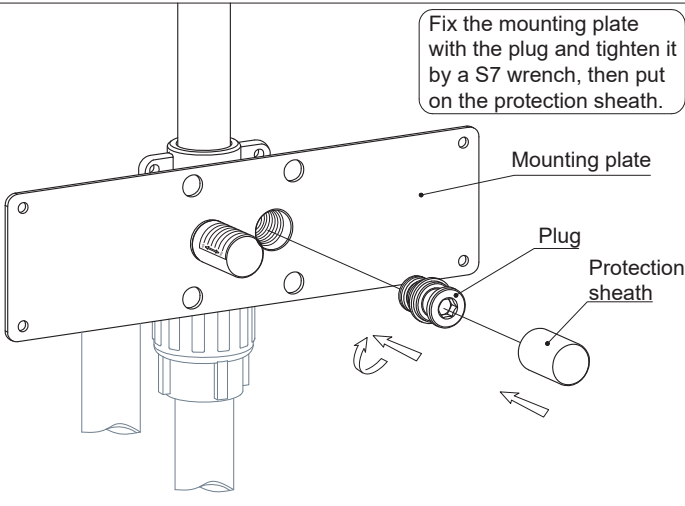
18 Method 2:

Wrap the rough-in with teflon tape to connect the pipe couplings. Then connect flexible hoses to the pipe couplings.



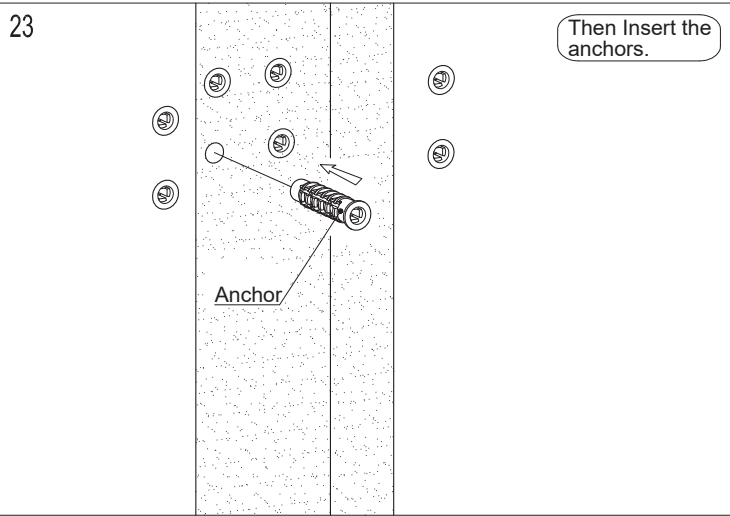
19

Fix the mounting plate with the plug and tighten it by a S7 wrench, then put on the protection sheath.



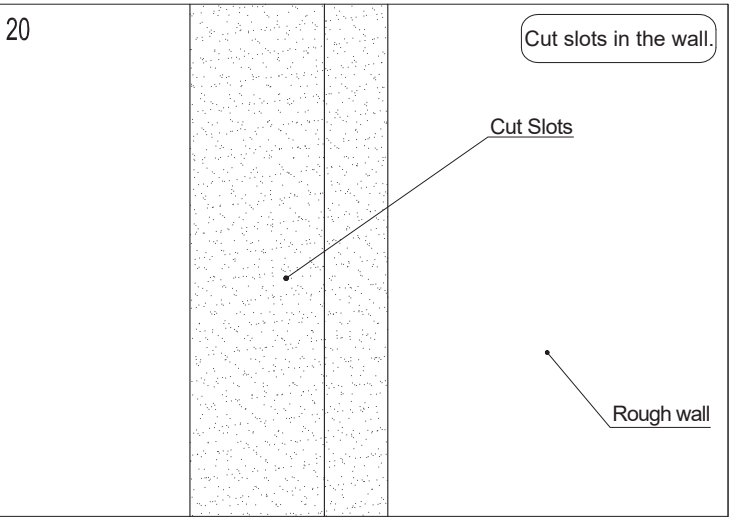
23

Then Insert the anchors.



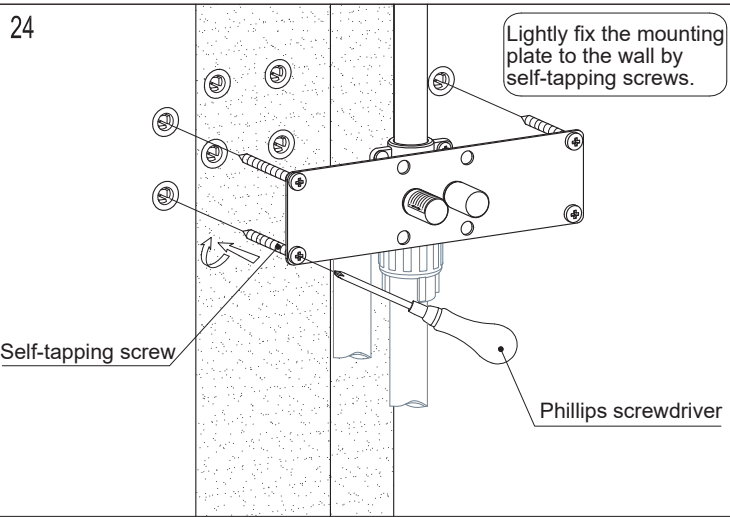
20

Cut slots in the wall.



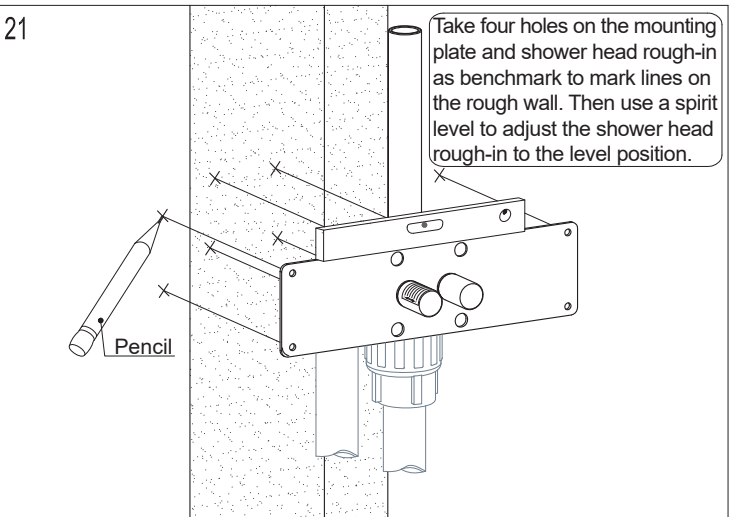
24

Lightly fix the mounting plate to the wall by self-tapping screws.



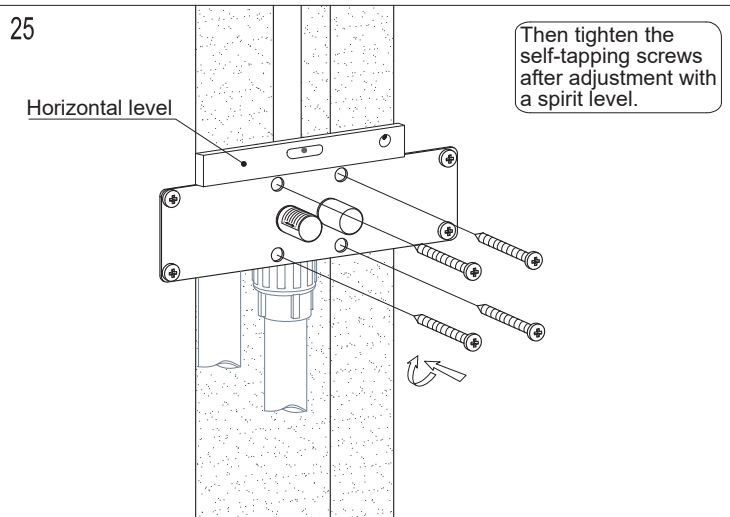
21

Take four holes on the mounting plate and shower head rough-in as benchmark to mark lines on the rough wall. Then use a spirit level to adjust the shower head rough-in to the level position.



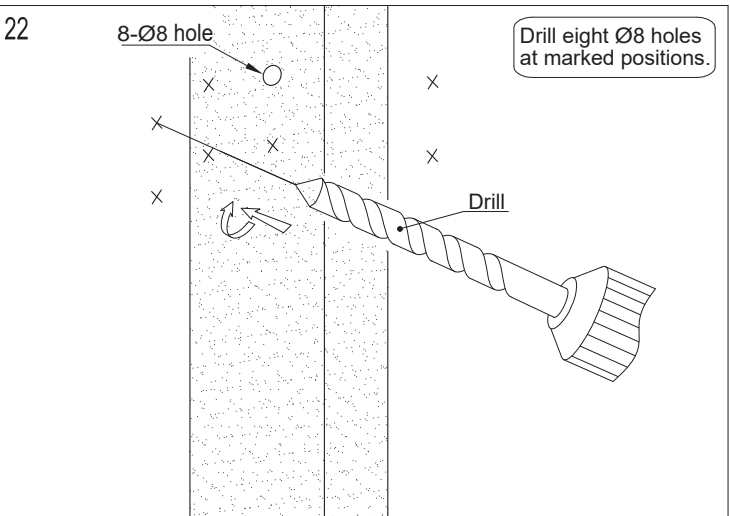
25

Then tighten the self-tapping screws after adjustment with a spirit level.



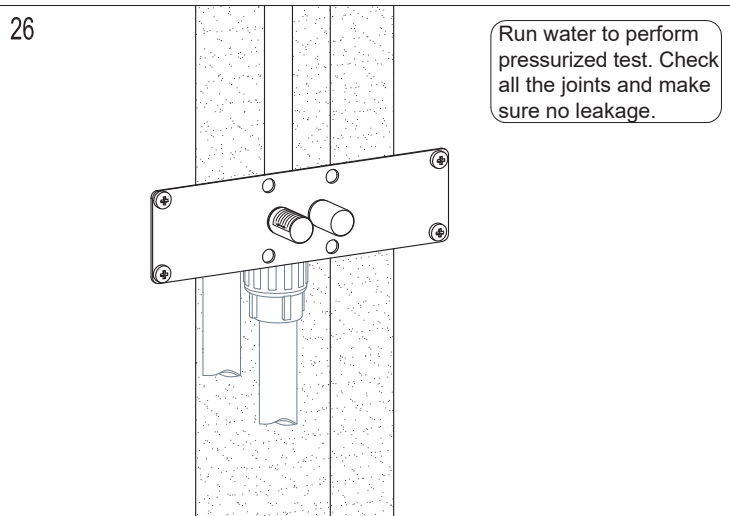
22

Drill eight Ø8 holes at marked positions.

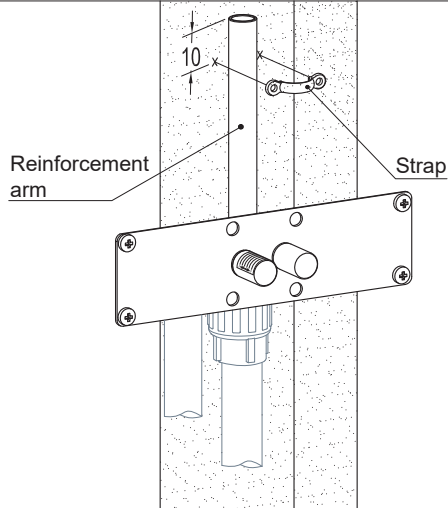


26

Run water to perform pressurized test. Check all the joints and make sure no leakage.

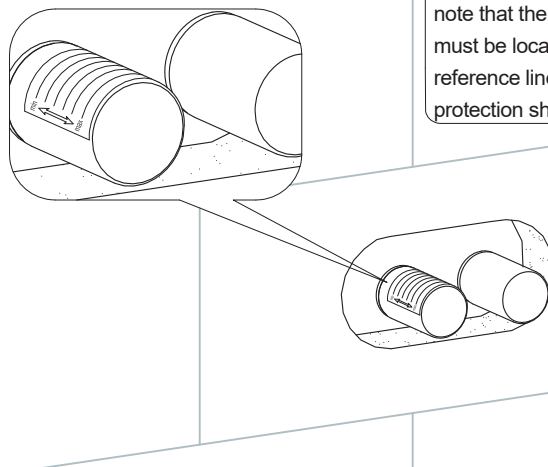


27



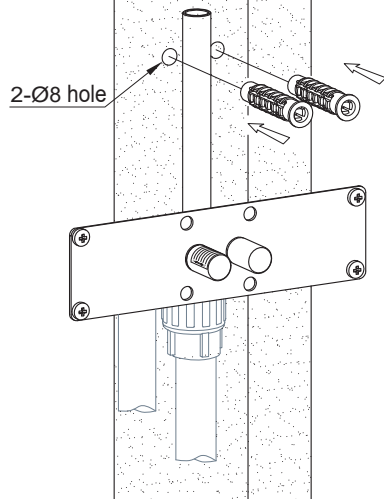
Put the strap onto the reinforcement arm. Take two holes on the strap as benchmark to mark lines on the wall.

31



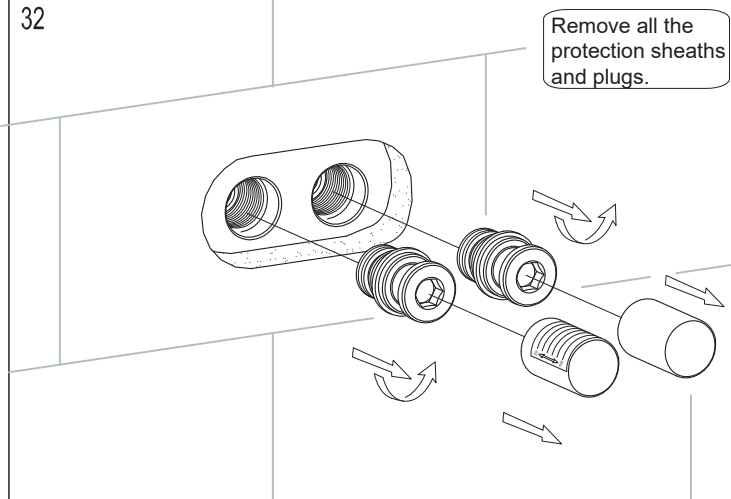
Install ceramic tiles. Please note that the finished wall must be located within the reference lines on the protection sheath.

28



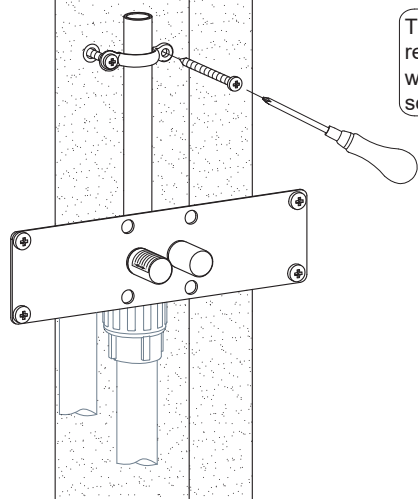
Drill two Ø8 holes at marked positions and insert the anchors.

32



Remove all the protection sheaths and plugs.

29

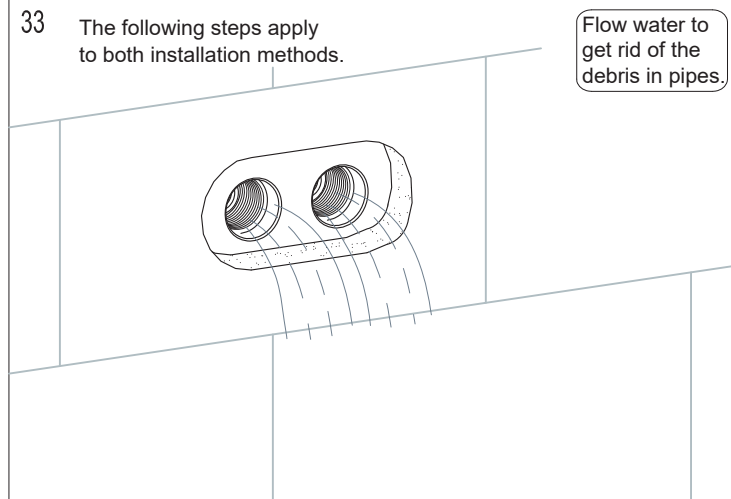


Then tighten the reinforcement arm with self-tapping screws.

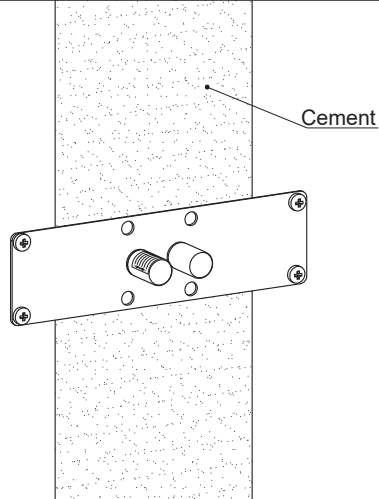
33

The following steps apply to both installation methods.

Flow water to get rid of the debris in pipes.

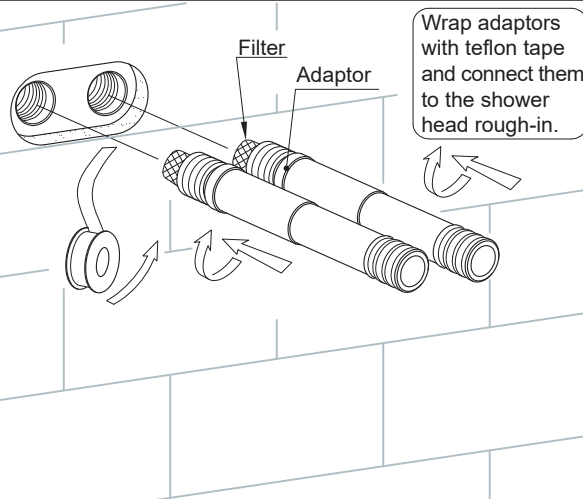


30



Fill the slots with cement.

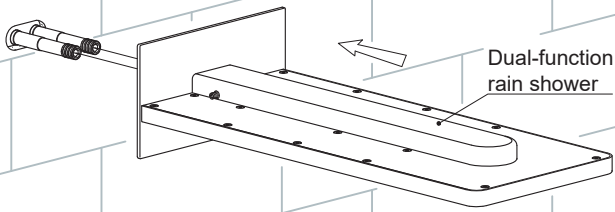
34



Wrap adaptors with teflon tape and connect them to the shower head rough-in.

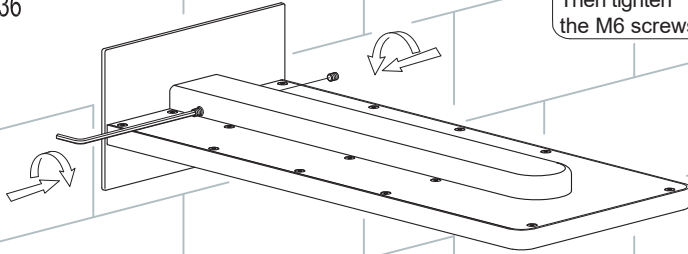
35

Install the dual-function
rainshower head and
place it against the wall.



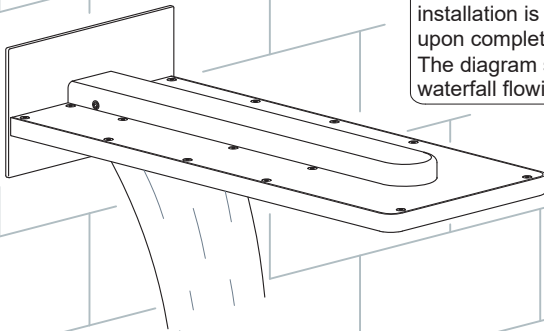
36

Then tighten
the M6 screws.



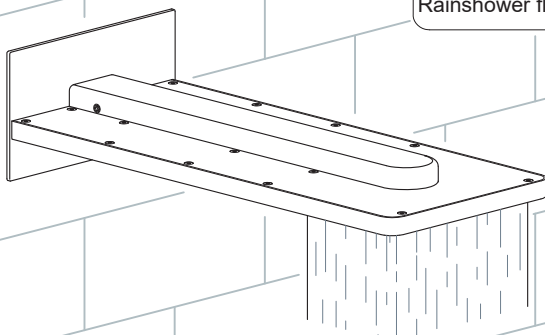
37

Double check if the
installation is proper
upon completion.
The diagram shows
waterfall flowing.



38

Rainshower flowing

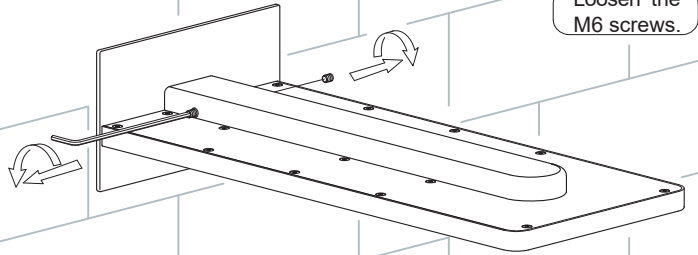


V. Maintenance (Diagram 1-4):

If the volume from the rainshower reduces after a period of usage, it is possible because dirt blocks the aerator. Take the following cleaning method as Diagram 1-4. Then assemble the shower head back as shown in Fig.34,35,36,37.

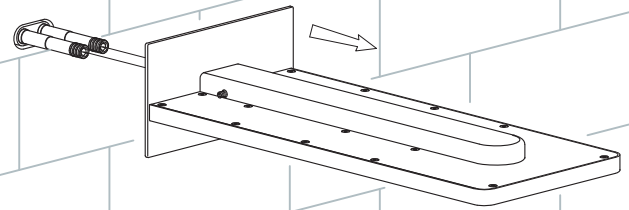
1

Loosen the
M6 screws.



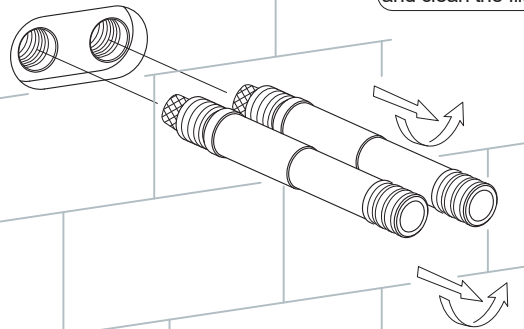
2

Take off the dual-function
rainshower head.



3

Unscrew the adaptors
and clean the filters.



4

Flow water to get rid
of the debris in pipes.

