

INSTRUCTION MANUAL

BS81162043

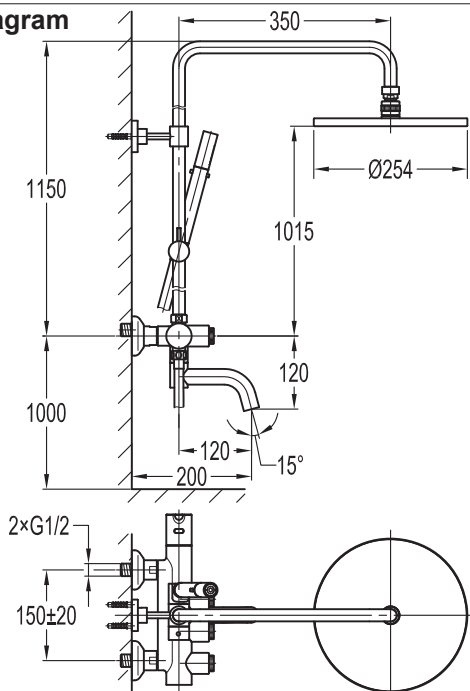
III. Operation Notice

1. The product is used under cold water temperature 4~29°C, hot water temperature 45~85°C and water pressure 0.05~1.0 MPa. Please avoid large pressure difference between hot and cold water. The thermostatic cartridge is preferably in use under the condition of water pressure 0.3 MPa, cold water 15°C, hot water 65°C. Main valve should be equipped with a filter.
2. To avoid using the faucet as hand rail, a separate hand rail must be installed if needed. Also, do not hang heavy objects on the mixer.
3. Make sure the faucet is off when no water comes out of it, especially when nobody resides in or during the period of decoration or suspension of water.
4. Regularly clean the surface of faucet to keep it bright. Attention: Do not use inappropriate tools such as sharp brushes, rough sponges, scouring pads or corrosive detergent to clean the faucet. It is not recommended to use the detergent sold in the market, because its formula changes frequently. Please clean the faucet with wet cloth and soapy water after usage. Then rinse the soap off with clean water and dry with a soft cotton cloth.
5. Residues of shampoo, shower gel, hair dye, perfume, shaving water, nail polish, toothpaste and other substances may cause damage to the product. Please carefully rinse residues with clean water after use. Also, do not store detergents and chemicals under the product, such place as vanity cabinet of washbasin; otherwise volatile gases will damage the product.
6. When room temperature falls below 0°C, take necessary measures (keep the product warm, close windows) to prevent the product from frost cracking (especially when windows open for air ventilation while nobody in the house).
7. Turn on the cold water first, then hot water. Adjust the temperature before use to avoid scald.
8. Sensitive parts of the body, such as eyes, must be kept out of water flows from shower head and sufficient distance between shower head and human head is needed.
9. Children, adults with mental disorders should not be allowed to use the shower system without supervision, nor should people affected by alcohol or drugs.
10. Do not disassemble the product without help from the professionals.

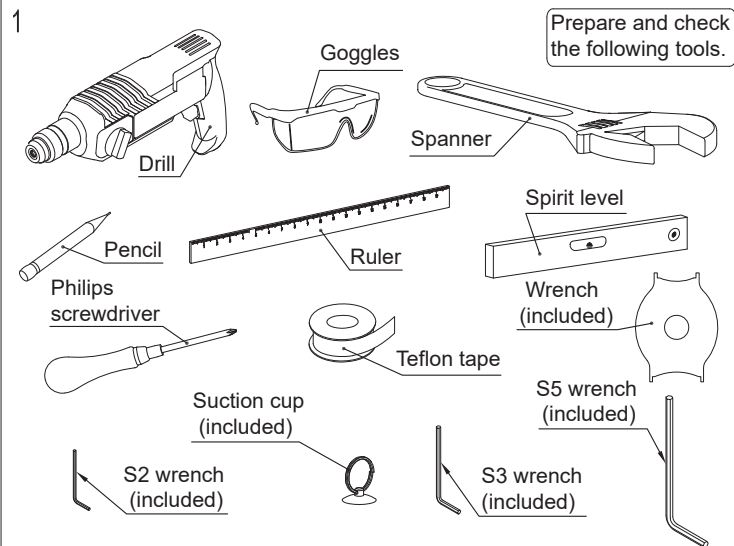
I. Installation Notice

1. Install water pipes in accordance with this manual. Floor drain should be installed on the site.
2. All the components except mixer body should be installed only after the completion of house interior decoration in case paint or other chemicals erode the mixer surface.
3. Run water to clean pipes so as to get rid of mud, sand or other debris blocked in pipes before installation.
4. If the thread does not match well with the water pipe, please find out the reason first; otherwise a forced connection will damage the product.
5. After installation, check all the joints to ensure they are firmly connected. Turn on and off the water repeatedly to ensure there is no leakage around the joints. After that, the product is ready for normal use.
6. Keep the manual to users.

II. Installation Diagram

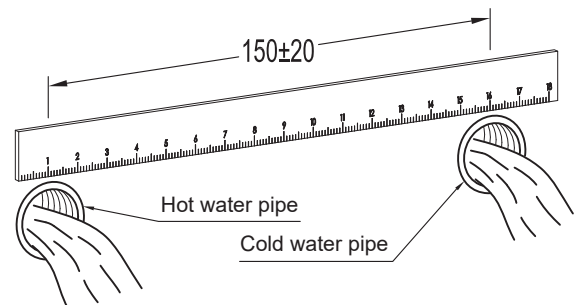


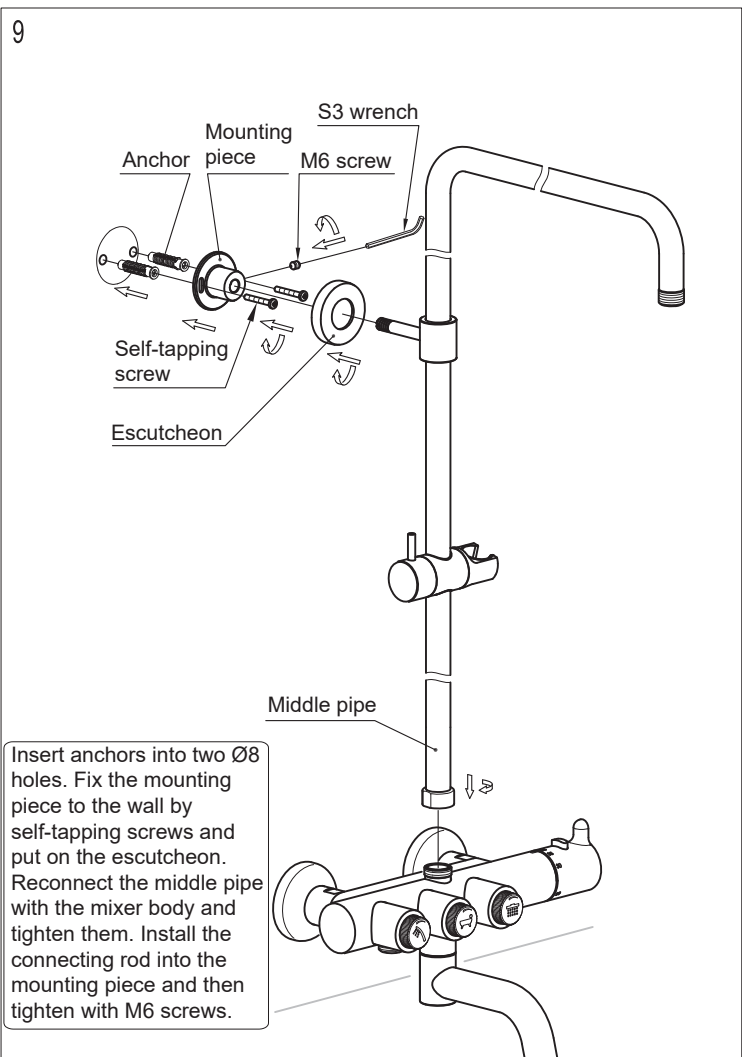
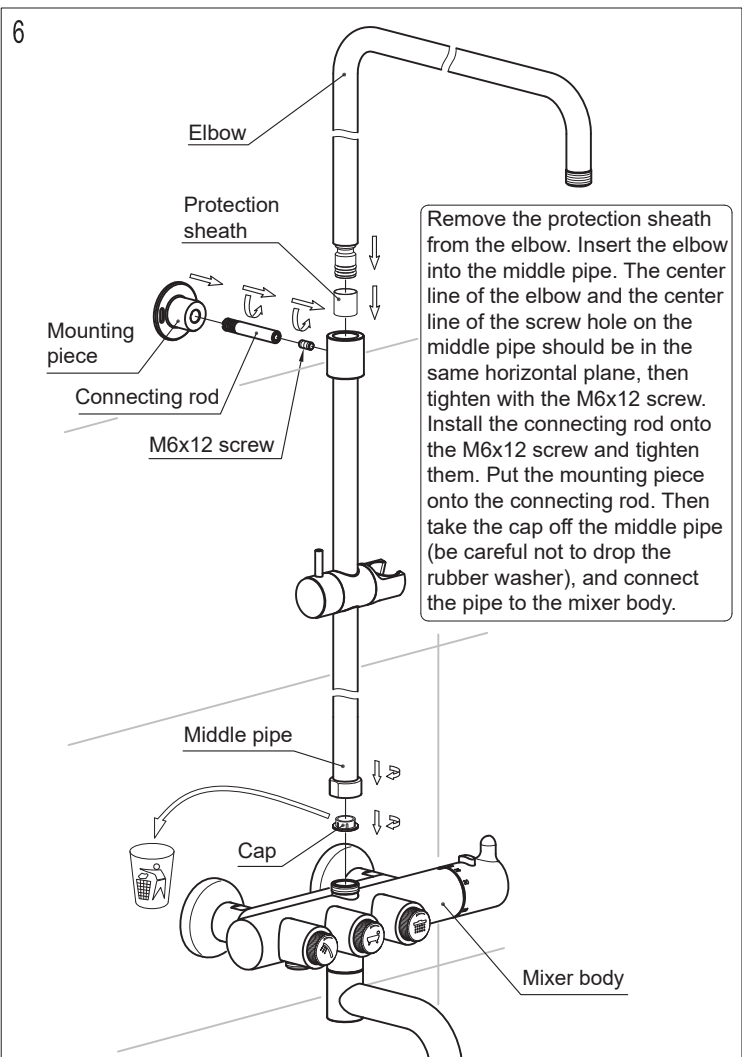
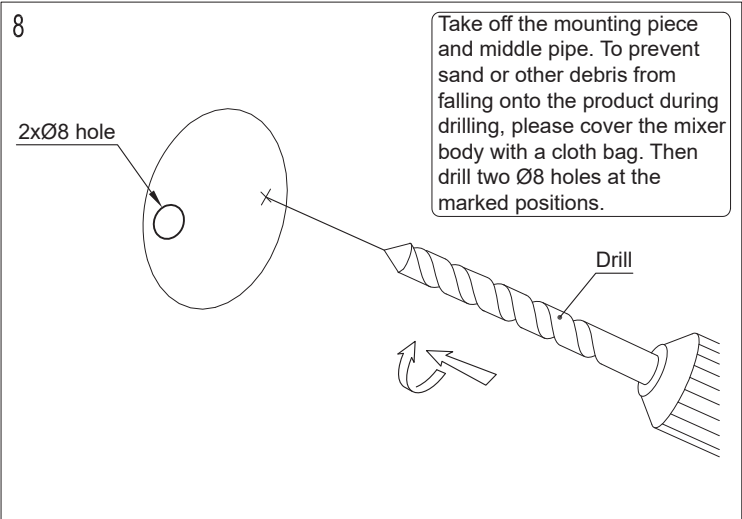
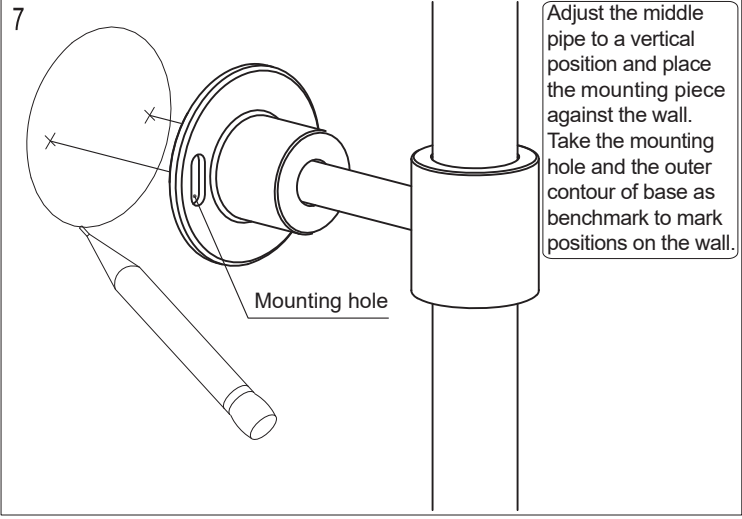
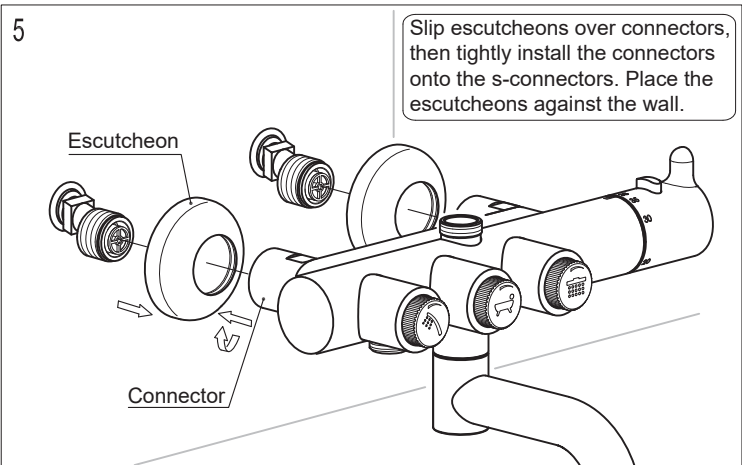
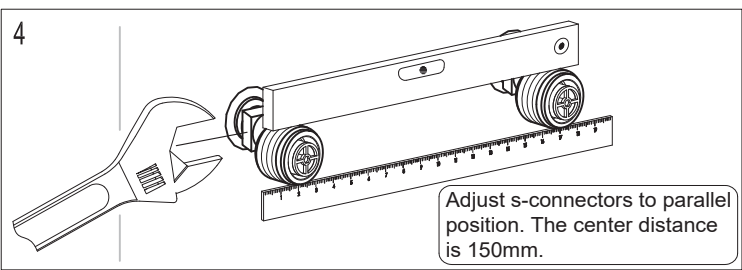
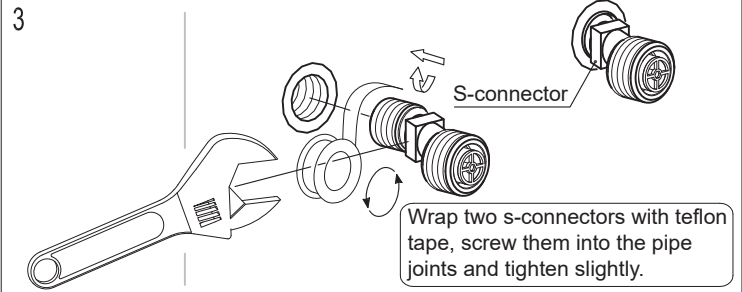
IV. Installation Steps (Fig.1-14): * The installation diagram is only for reference. The product is subject to the real object.

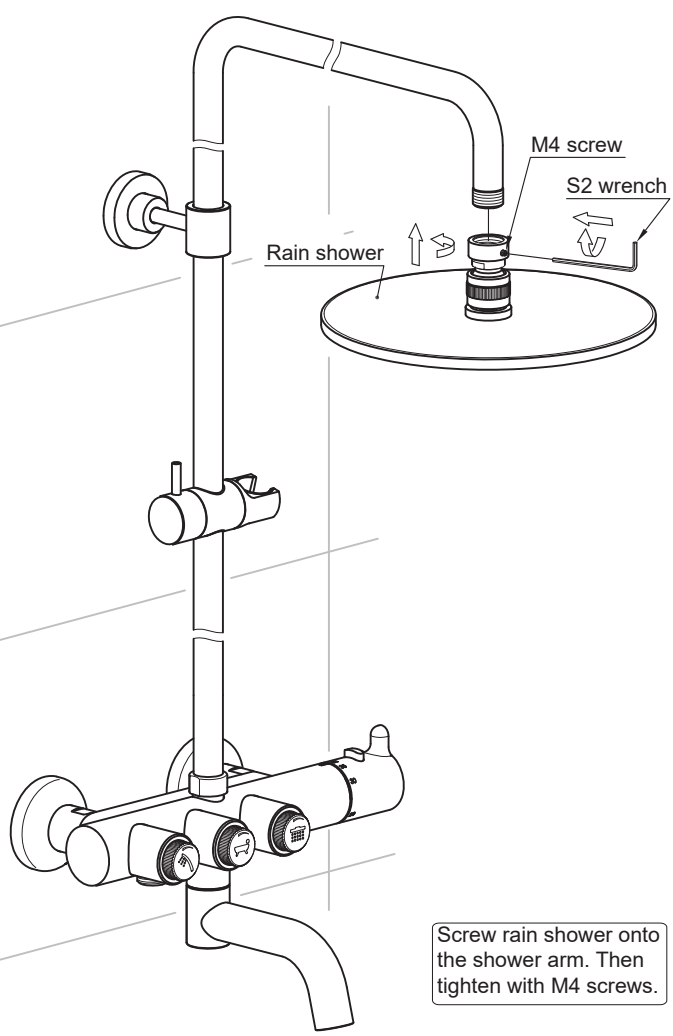


2

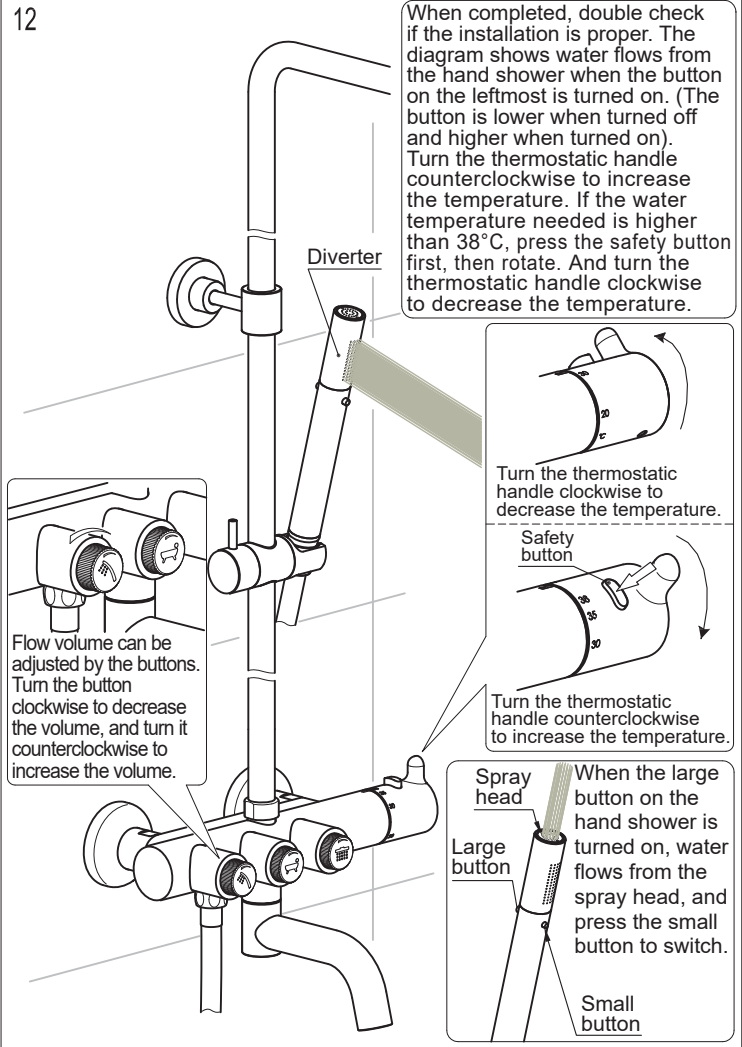
In the wall about 1000mm above the ground, install hot and cold pipes with the distance 150mm in between. Please note that the inlets must be connected for hot left and cold right. Run water to get rid of the debris in pipes.







Screw rain shower onto the shower arm. Then tighten with M4 screws.



When completed, double check if the installation is proper. The diagram shows water flows from the hand shower when the button on the leftmost is turned on. (The button is lower when turned off and higher when turned on). Turn the thermostatic handle counterclockwise to increase the temperature. If the water temperature needed is higher than 38°C, press the safety button first, then rotate. And turn the thermostatic handle clockwise to decrease the temperature.

Flow volume can be adjusted by the buttons. Turn the button clockwise to decrease the volume, and turn it counterclockwise to increase the volume.

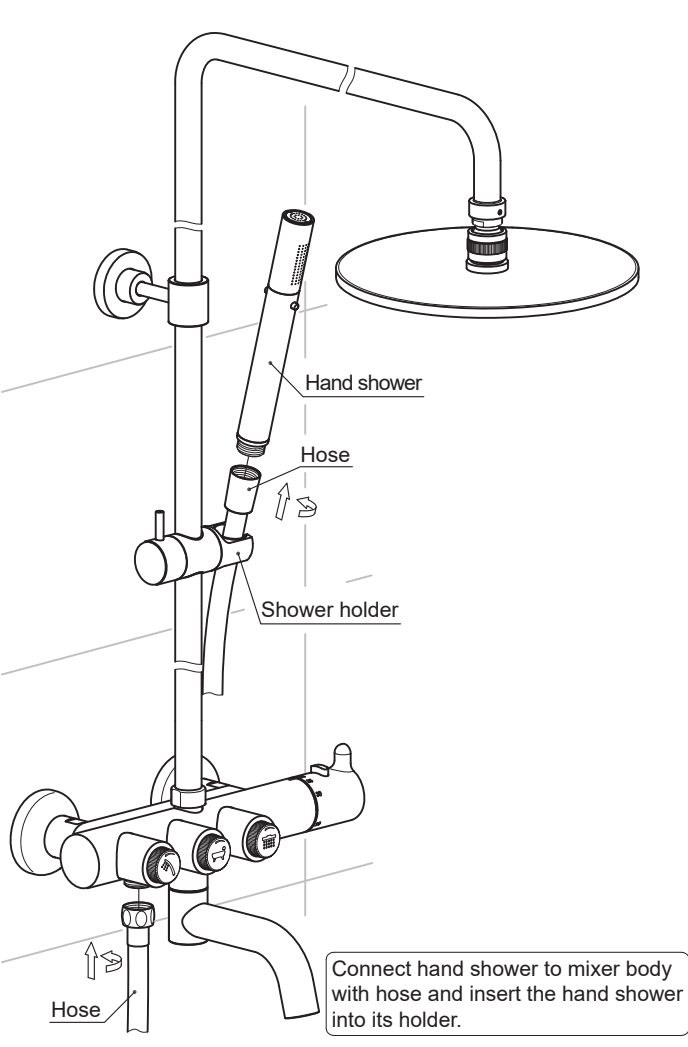
Turn the thermostatic handle clockwise to decrease the temperature.

Safety button

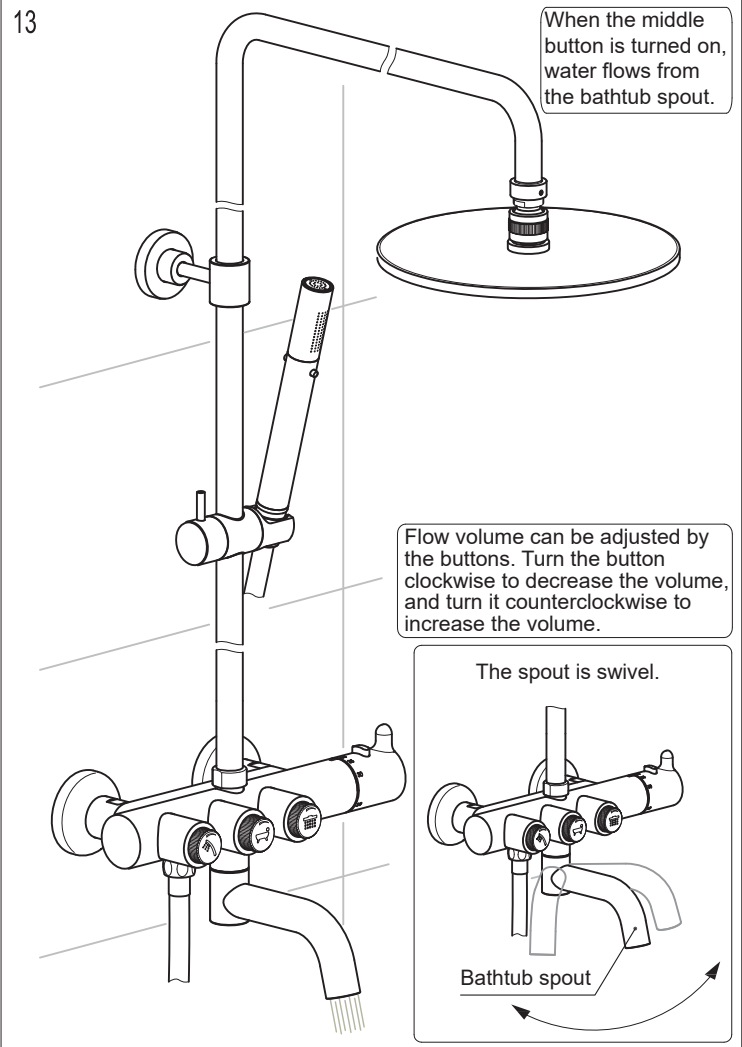
Turn the thermostatic handle counterclockwise to increase the temperature.

Spray head
Large button
Small button

When the large button on the hand shower is turned on, water flows from the spray head, and press the small button to switch.



Connect hand shower to mixer body with hose and insert the hand shower into its holder.

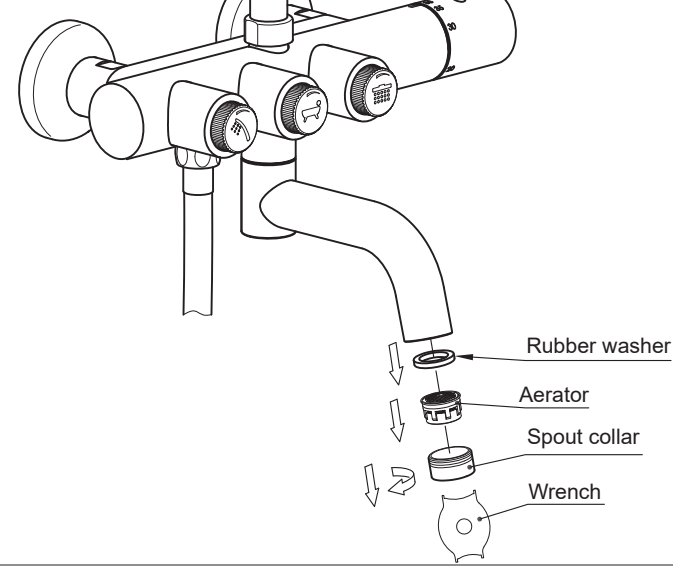
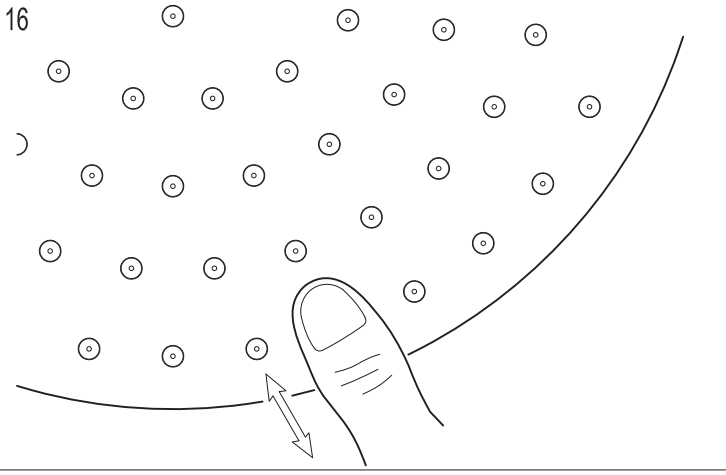
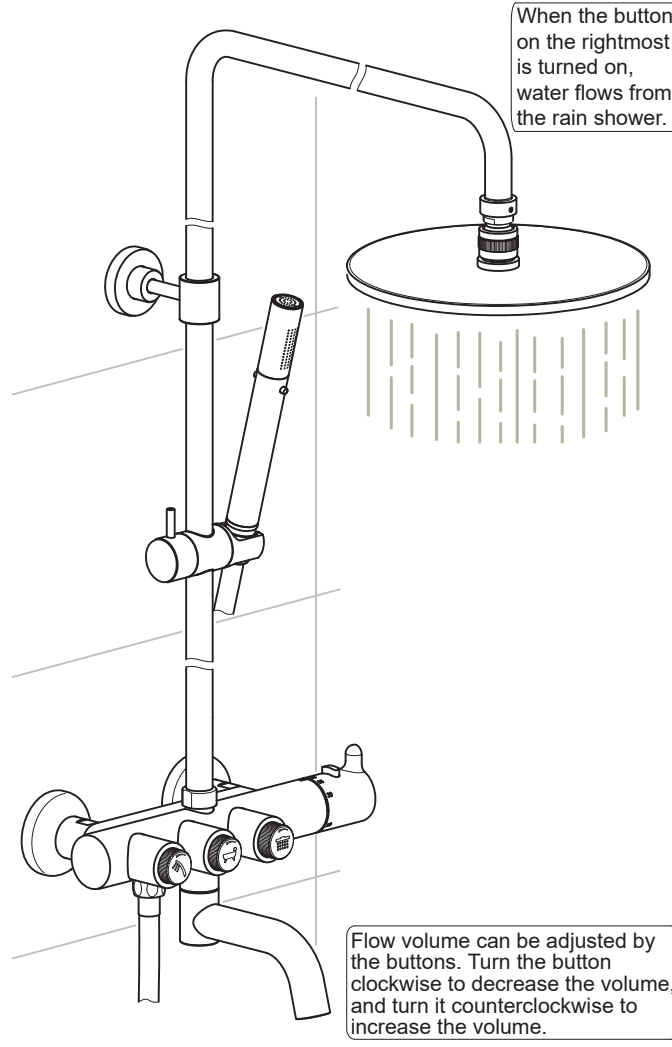


When the middle button is turned on, water flows from the bathtub spout.

Flow volume can be adjusted by the buttons. Turn the button clockwise to decrease the volume, and turn it counterclockwise to increase the volume.

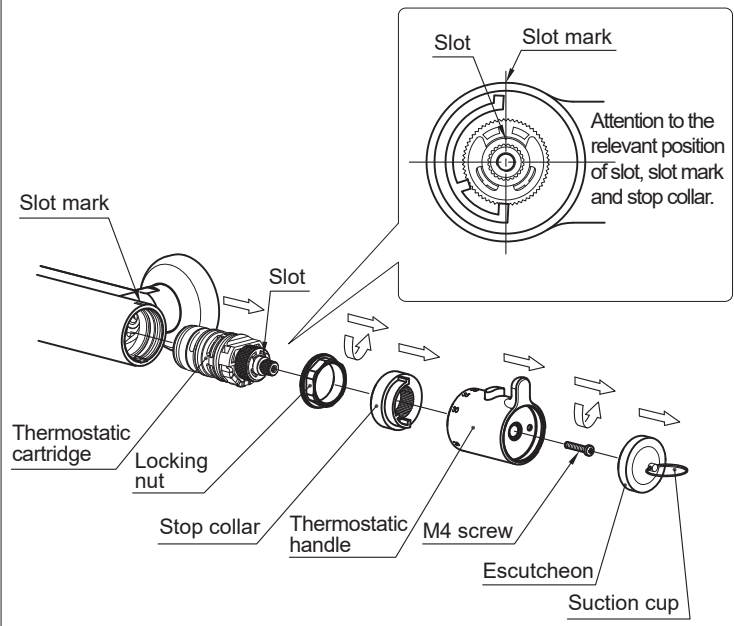
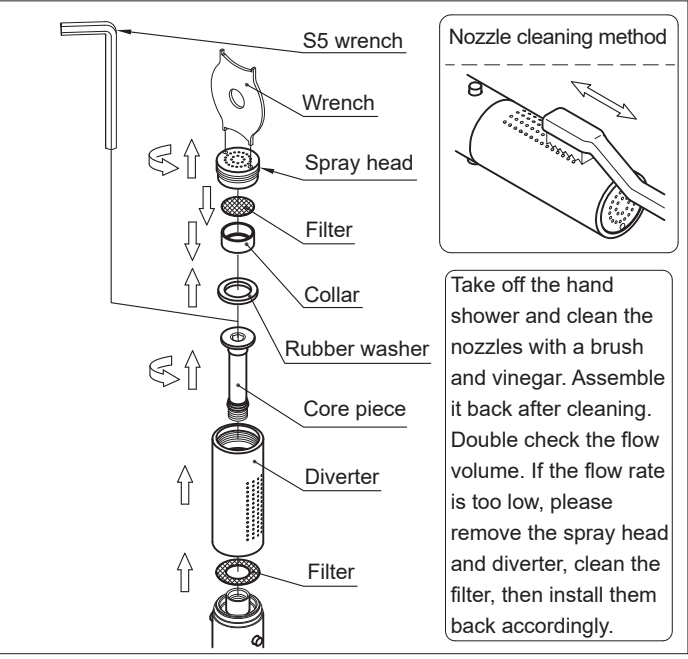
The spout is swivel.

Bathtub spout



V. Maintenance (Fig.15-18):

If water flow from the hand shower is lessened or does not spray evenly after a period of use, it is possibly because debris or limescale blocks the filter or nozzles. Please clean the filter and nozzles as shown in Diagram 15. If water flow from the rain shower does not spray evenly, or no water comes out of some nozzles, it is possibly because debris or limescale blocks the nozzles. Please gently squeeze those rubber nozzles with fingers as shown in Diagram 16 and clean up the debris. If water flow from the hand shower or rain shower is normal, but lessened when it comes out of the bathtub outlet, it is possibly because debris blocks the aerator. Please remove the aerator as shown in Diagram 17 and assemble it back after cleaning. If water flow from all outlets becomes lessened after cleaning, it is possibly because water of poor quality blocks the filter of the thermostatic cartridge. Please do the cleaning as shown in Diagram 18.



Turn off the main inlet valve. Use suction cup to suck the escutcheon out of the thermostatic handle as shown in the diagram. Remove the followings one by one: M4 screw, thermostatic handle, stop collar and locking nut. Take out the thermostatic cartridge and clean its filter part with clean water and vinegar. Then assemble them back accordingly. Pay attention to keeping the four parts on one line: the slot on the thermostatic cartridge, the slot mark on the mixer body, the stop collar and the 38°C mark on the thermostatic handle.