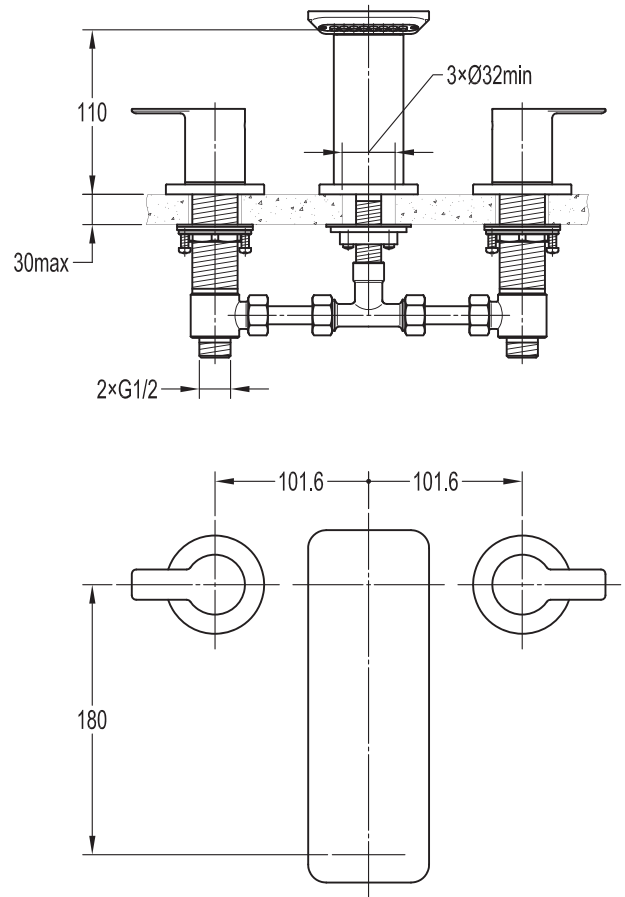


INSTRUCTION MANUAL

BS81041743

III. Installation Diagram



I. Installation Notice

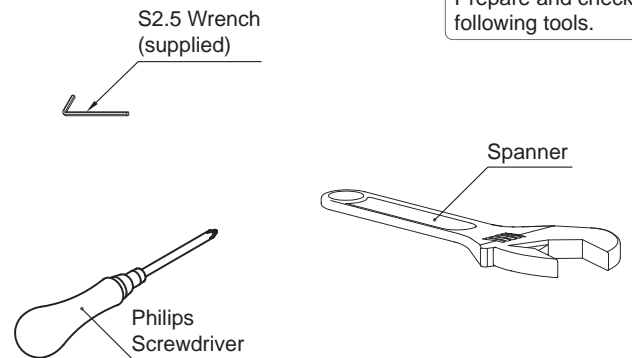
1. Please lay water pipes in accordance with this manual.
2. Floor drain should be installed on the site.
3. Mixers should be installed only after the completion of house interior decoration in case paint or other chemicals erode the mixer surface.
4. Clean pipes to get rid of mud, sand or other debris blocked in pipes before installation.
5. Check whether the threads can be matched. Otherwise, install forcefull will damage the components.
6. After installation, check all the joints to make sure they are firmly connected. Then keep water flow. Turn on and off repeatedly to ensure no leaking problem. After that, the product is ready for normal use.
7. Hand the manual to users.

II. Operation Notice

1. The product is used under cold water temperature 4~29°C, hot water temperature 55~85°C and water pressure 0.05~1.0 MPa.
2. Do not hang heavy things on the mixer.
3. Remember to turn off the mixer when no water comes out of it (especially when nobody in the house or during the decoration period or power off).
4. Clean the surface of mixer regularly to keep it bright. Note: Please do not use inappropriate tools such as sharp brushes, rough sponges, scouring pads or corrosive detergent. And it is not recommended to use the detergent sold in the market, because its formula changes frequently. Please clean the mixer with wet cloth and soapy water after some time of usage. Then rinse the soap off with clean water and dry with a soft cotton cloth.
5. When indoor temperature drops below 0°C, take necessary measures (keep mixer warm, close windows) to prevent the mixer from frost cracking (especially when windows are kept open for ventilation while nobody in the house).
6. Run cold water first and then run hot water, adjust the temperature before in use. Do not touch the hot water area of the mixer to avoid injury.
7. Do not disassemble the product without help from the professionals.

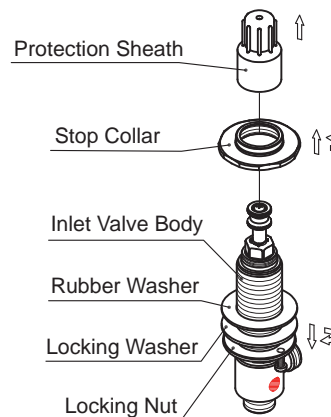
IV. Installation Steps(Fig.1-15) : * The installation diagram is only for reference. The product is subject to the real object.

1



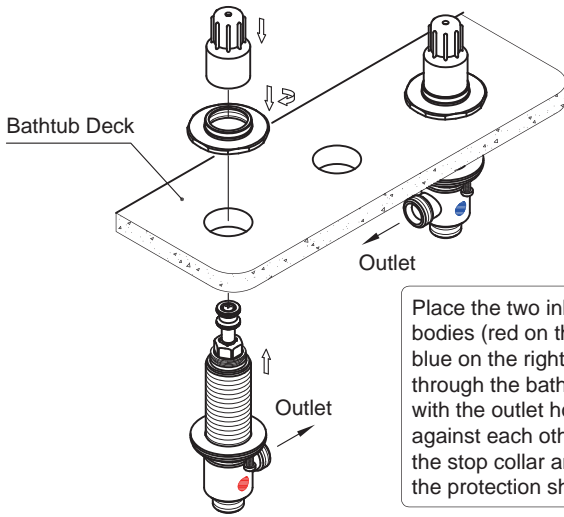
Prepare and check the following tools.

2



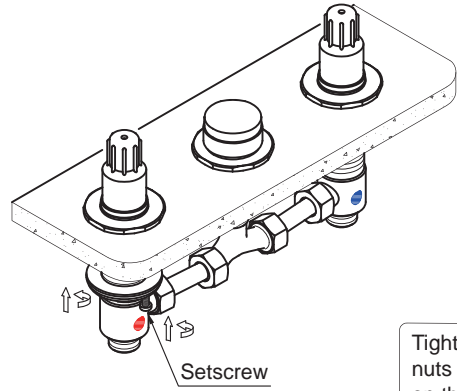
Remove the protection sheath off the two inlet valve bodies, take off the stop collar and screw off the locking nuts to the bottom.

3



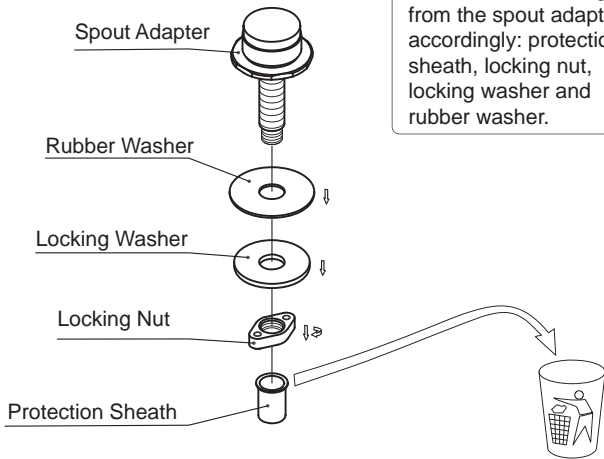
Place the two inlet valve bodies (red on the left and blue on the right) upward through the bathtub deck with the outlet holes facing against each other. Tighten the stop collar and put on the protection sheath.

7



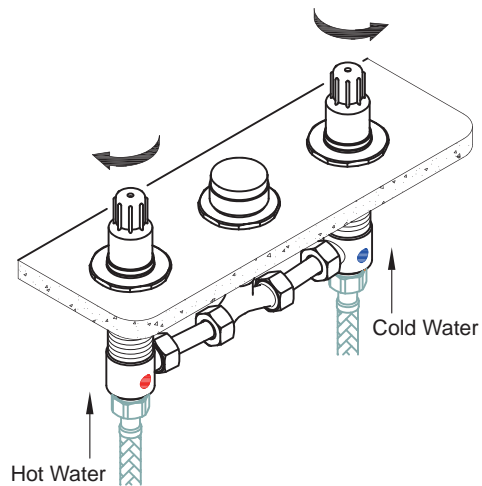
Tighten the locking nuts and setscrews on the inlet valve bodies.

4



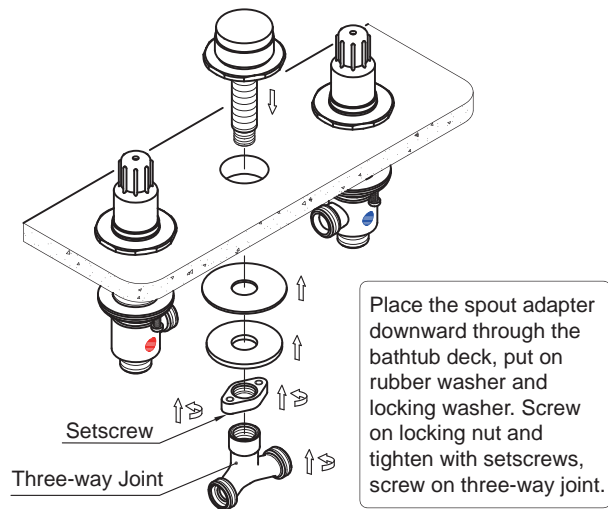
Take off the following from the spout adapter accordingly: protection sheath, locking nut, locking washer and rubber washer.

8



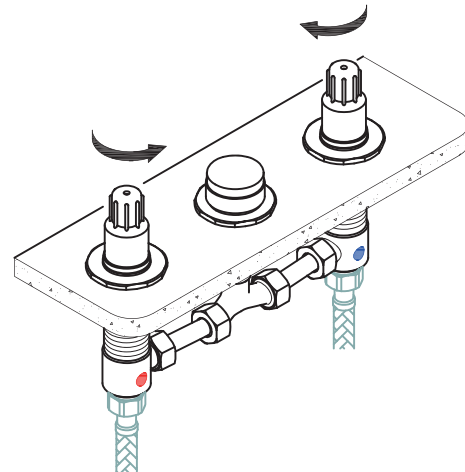
Turn off the valves and run water for pressure test to ensure there is no leakage. Make sure hot water is connected to the left valve body and cold water to the right.

5



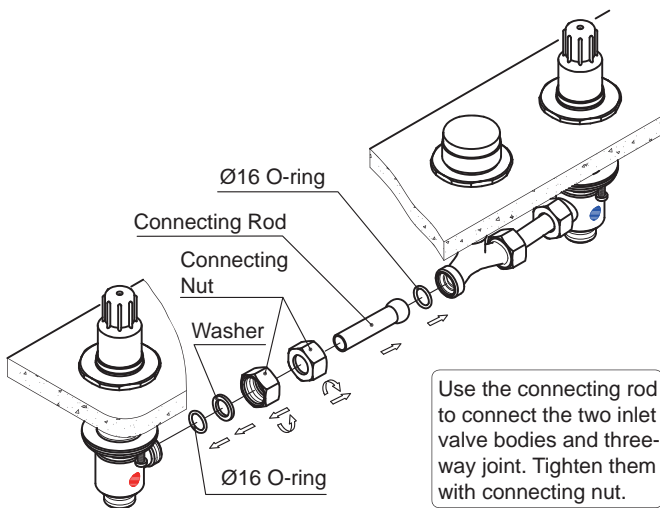
Place the spout adapter downward through the bathtub deck, put on rubber washer and locking washer. Screw on locking nut and tighten with setscrews, screw on three-way joint.

9



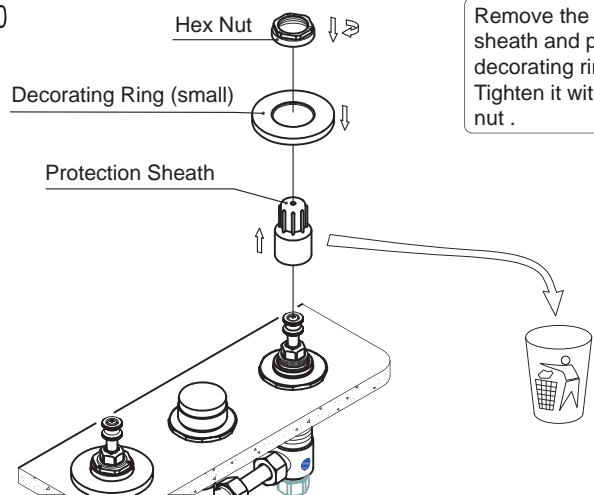
Turn on the valves and run water for pressure test to ensure there is no leakage.

6



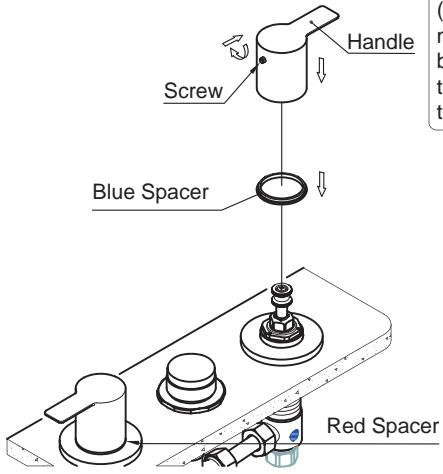
Use the connecting rod to connect the two inlet valve bodies and three-way joint. Tighten them with connecting nut.

10



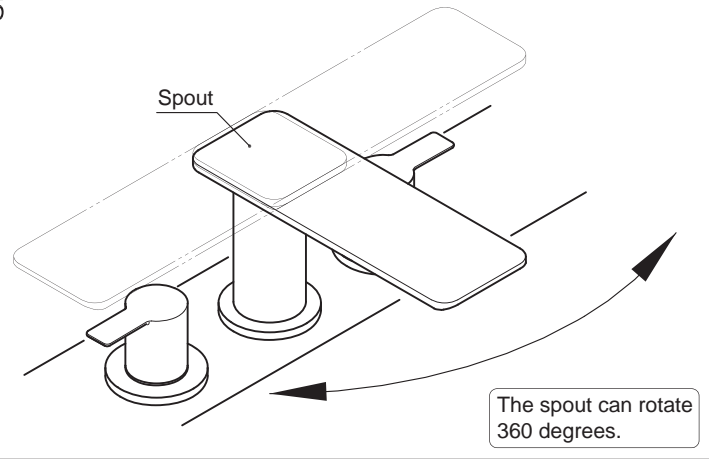
Remove the protection sheath and put on the decorating ring (small). Tighten it with the hex nut.

11

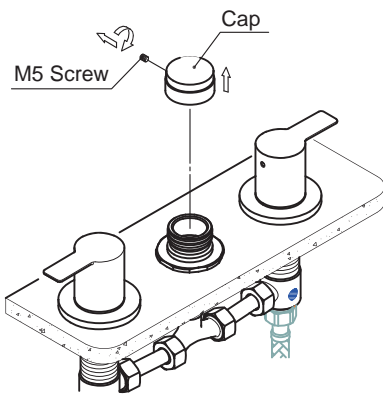


Install the handles (attention to the red mark on the left and blue on the right) and tighten the screws on the handles.

15



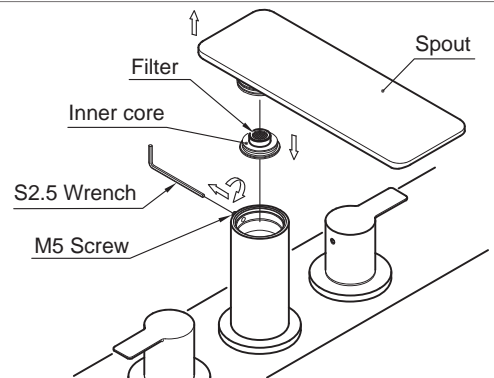
12



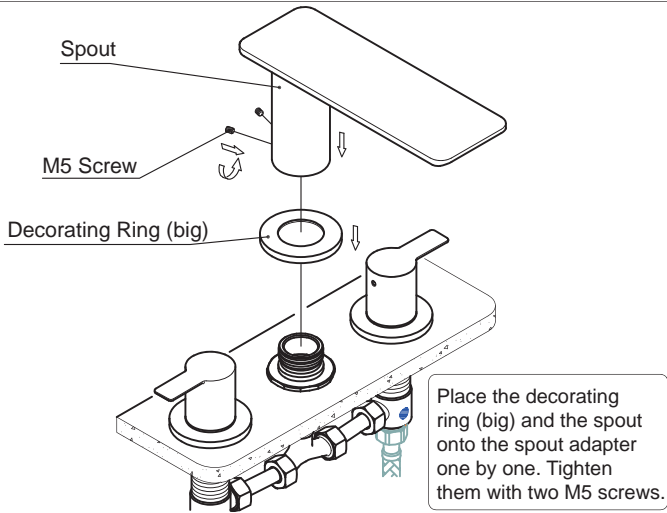
Loosen the M5 screw and take off the cap.

V. Maintenance

After a period of usage, if the volume lessens, it might be due to debris from bad quality water blocking the inner core. Loosen the M5 screw and take out the spout and then the inner core. Clean its filter with clean water. Then install it back.



13



14

