

INSTRUCTION MANUAL

BS02702001

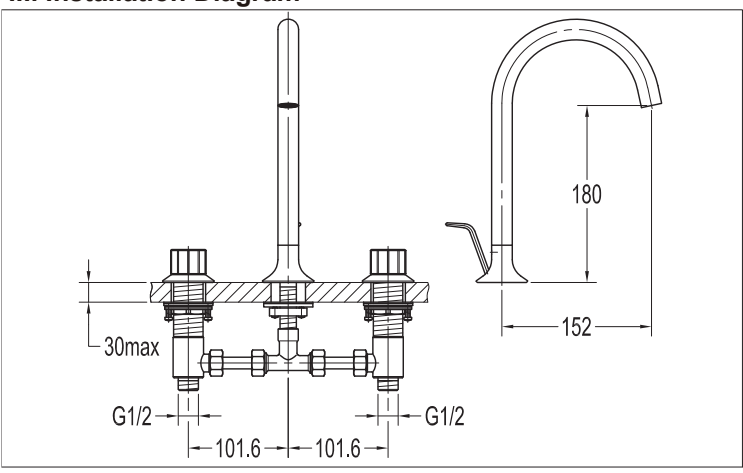
I. Installation Notice

1. Install water pipes in accordance with this manual.
2. Floor drain should be installed on the site.
3. All the components except mixer body should be installed only after the completion of house interior decoration in case paint or other chemicals corrode the mixer surface.
4. Clean pipes to get rid of mud, sand or other debris blocked in pipes before installation.
5. If the thread does not match well with the water pipe, please find out the reason first; otherwise a forced connection will damage the faucet.
6. After installation, check all the joints to ensure they are firmly connected. Turn on and off the water repeatedly to ensure there is no leakage around the joints. After that, the product is ready for normal use.
7. Hand the manual to users.

II. Operation Notice

1. The product is used under water pressure 0.05~1.0 MPa, water temperature 4~90°C.
2. Do not hang heavy objects on the mixer.
3. Make sure the faucet is off when no water comes out of it, especially when nobody resides in or during the period of decoration or suspension of water supply.
4. Regularly clean the surface of faucet to keep it bright. Attention: Do not clean with inappropriate tools such as sharp brushes, rough sponges, scouring pads or corrosive detergent to clean the faucet. It is not recommended to use the detergent sold in the market, because its formula changes frequently. Please clean the faucet with wet cloth and soapy water after use. Then rinse off the soap with clean water and dry with a soft cotton cloth.
5. Residues of shampoo, shower gel, hair dye, perfume, shaving water, nail polish, toothpaste and other substances may cause damage to the product. Please carefully rinse residues with clean water after use. Also, do not store detergents and chemicals under the product, such place as vanity cabinet of washbasin; otherwise volatile gases will damage the product.
6. When room temperature drops below 0°C, take necessary measures (keep the product warm, close windows) to prevent the product from frost cracking (especially when windows kept open for air ventilation while nobody in the house).
7. Adjust the temperature before use to avoid scald.
8. Do not disassemble the product without help from the professionals.

III. Installation Diagram



IV. Installation Steps(Fig.1-11): * The installation diagram is only for reference. The product is subject to the real object.

1 Prepare and check the following tools.

Spanner
Phillips screwdriver
Suction cup (included)
S2 wrench (included)
Wrench (included)

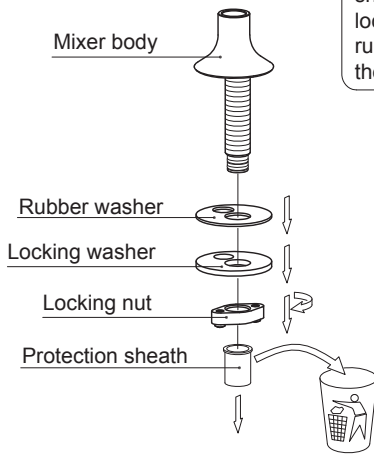
2 Use a suction cup to suck the escutcheon out of the handle and take out the stop screw. Remove the handle, plastic spacer ring, and escutcheon in turn. Then loosen the locking nut.

Suction cup
Escutcheon
Stop screw
Handle
Plastic spacer ring
Escutcheon
Rubber washer
Locking washer
Locking nut
Inlet valve body

3 Pass the two inlet valve bodies through the holes of sink counter with red left and blue right. Note that the outlets of two valve bodies face each other. Then tighten the escutcheon and install the plastic spacer ring.

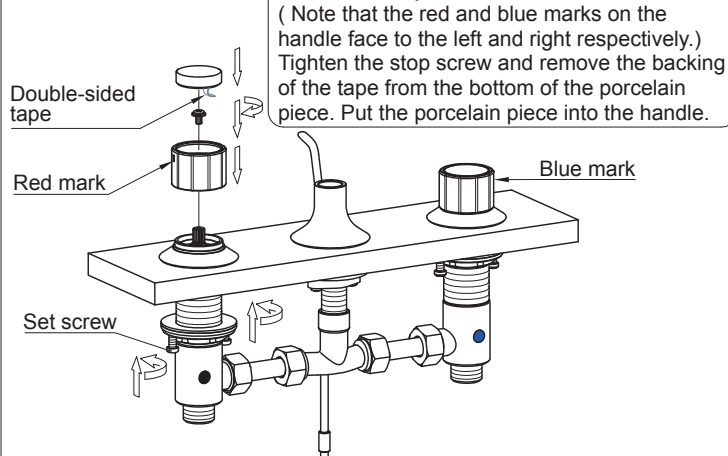
Sink counter
Red mark
Blue mark

4



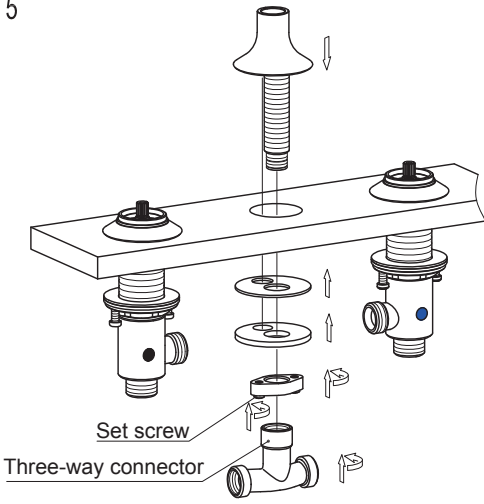
Remove the protection sheath, locking nut, locking washer and rubber washer from the mixer body.

8



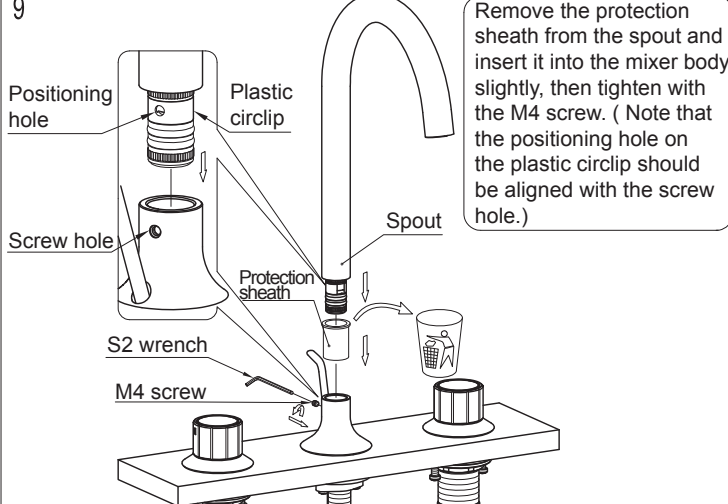
Tighten the locking nut and set screw on the inlet valve body in turn, then install the handle. (Note that the red and blue marks on the handle face to the left and right respectively.) Tighten the stop screw and remove the backing of the tape from the bottom of the porcelain piece. Put the porcelain piece into the handle.

5



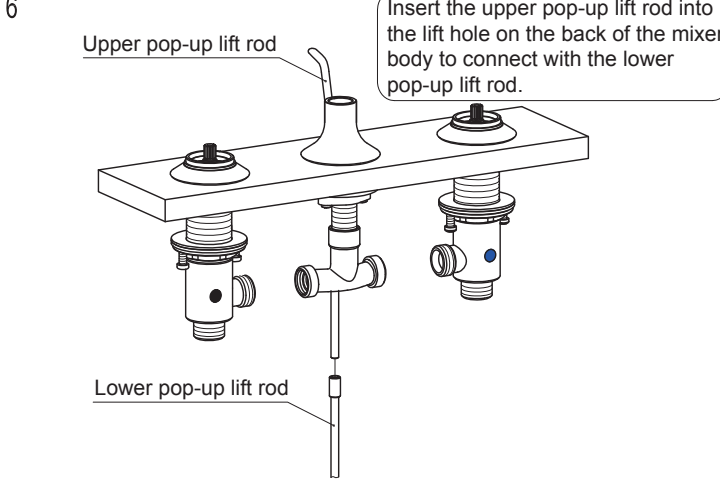
Pass the mixer body through the hole of the sink counter. Place the rubber washer and locking washer, then tighten with the locking nut and set screws. Install the three-way connector.

9



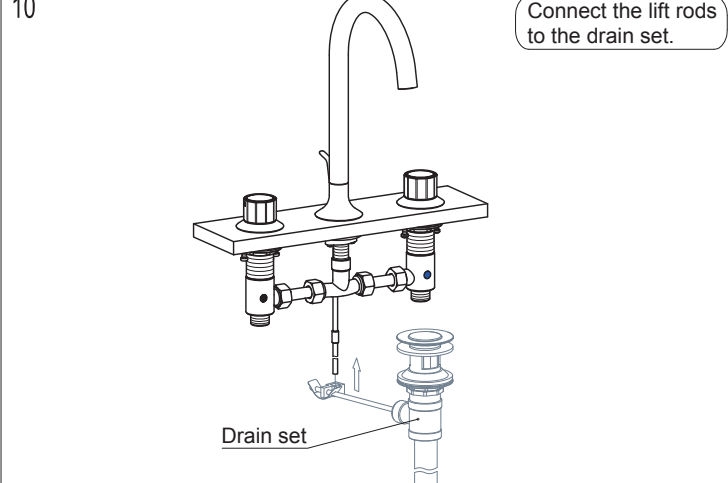
Remove the protection sheath from the spout and insert it into the mixer body slightly, then tighten with the M4 screw. (Note that the positioning hole on the plastic circlip should be aligned with the screw hole.)

6



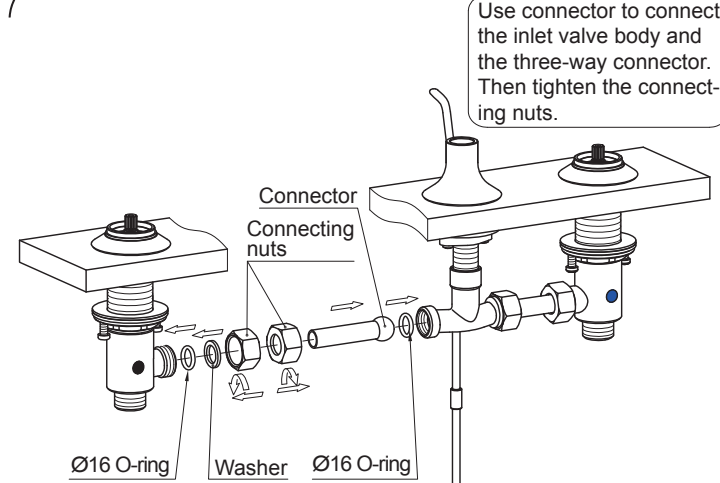
Insert the upper pop-up lift rod into the lift hole on the back of the mixer body to connect with the lower pop-up lift rod.

10



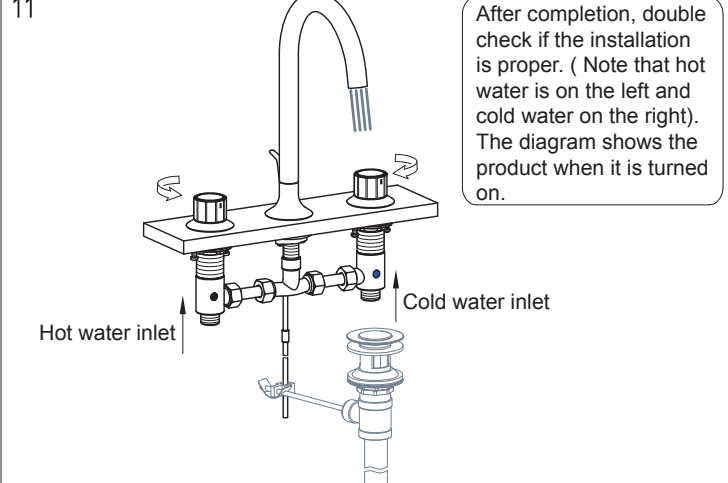
Connect the lift rods to the drain set.

7



Use connector to connect the inlet valve body and the three-way connector. Then tighten the connecting nuts.

11



After completion, double check if the installation is proper. (Note that hot water is on the left and cold water on the right). The diagram shows the product when it is turned on.