

INSTRUCTION MANUAL

BS01671930

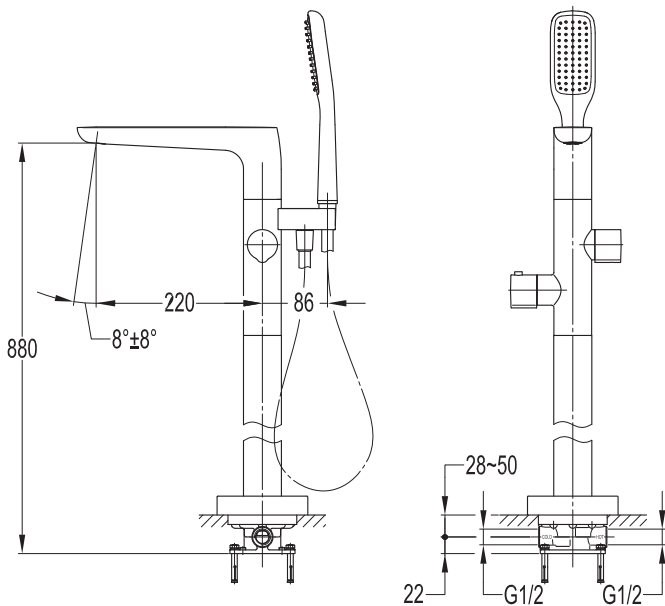
III. Operation Notice

1. The product is used under cold water temperature 4~29°C, hot water temperature 55~85°C and water pressure 0.05~1.0 MPa. To avoid large pressure difference between hot and cold water, the thermostatic cartridge is preferably in use under the condition of water pressure 0.3 MPa, cold water 15°C, hot water 65°C. Main valve should be equipped with a filter.
2. Do not hang heavy things on the faucet.
3. Make sure the faucet is off when no water comes out of it, especially when nobody resides in or during the period of decoration or suspend of water.
4. Regularly clean the surface of faucet to keep it bright. Attention: do not use inappropriate tools such as sharp brushes, rough sponges, scouring pads or corrosive detergent to clean the faucet. It is not recommended to use the detergent sold in the market, because its formula changes frequently. Please clean the faucet by a wet cotton cloth with soapy water, then rinse and dry with a soft cotton cloth after each time of usage.
5. Please rinse the product with water after use, otherwise it may be damaged by the residual substances such as shampoo, bath liquid, hair dye, perfume, shaving water, nail polish and toothpaste. In a similar case, the detergents and chemicals should not be stored under the product, otherwise the product may be damaged because of the volatile gases.
6. When the room temperature drops to below 0°C, take necessary measures (such as keeping faucet warm and closing windows) to prevent the faucet from being frozen or even broken (especially when windows kept open for air ventilation while nobody resides in).
7. Please open the cold and hot water in turn and adjust to comfortable temperature before use to avoid scald.
8. Don't let your sensitive parts of the body (such as eyes) exposed to shower spray.
9. The children, psychiatric patients or adults with conscious disorders should not be allowed to use them without supervision.
10. Do not disassemble the product with the help from the professionals.

I. Installation Notice

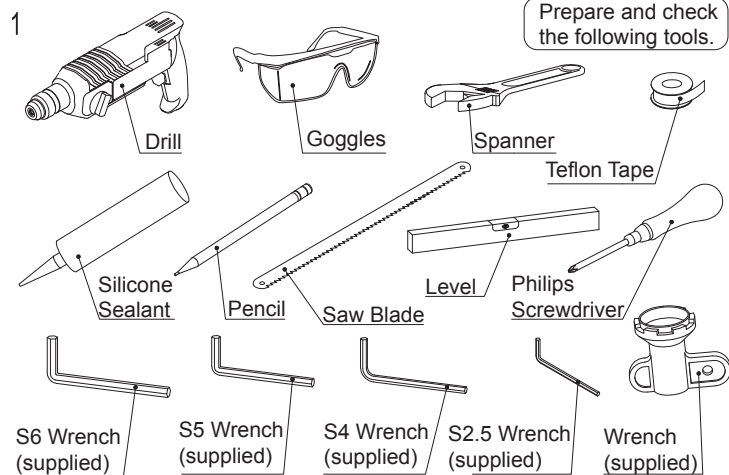
1. Install water pipes in accordance with this manual.
2. Floor drain should be installed in the location of the faucet.
3. Rough-in box should be installed before ground construction. The associated mixer should be installed after the ground construction. The rough-in box on the inlet base shall not be cut or removed, and shall be protected to avoid damage to each rough-in box and inlet base during construction.
4. Clean pipes before installation to get rid of mud, sand or other debris.
5. If the thread of pipes don't match well with product, please find out the reason first, otherwise a forced connection will damage the faucet.
6. After installation, check all the joints to ensure they are firmly connected. Then keep water flow. Turn on and off repeatedly to ensure there is no leakage around the joints. At this stage, the product is ready for normal use.
7. Keep the manual to the user.

II. Installation Diagram

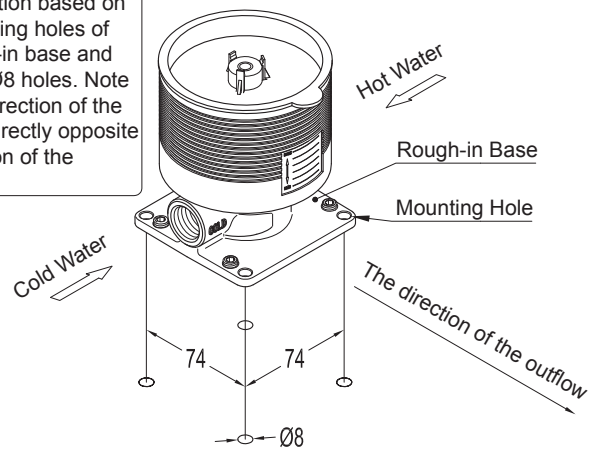


IV. Steps (Fig.1-19) :

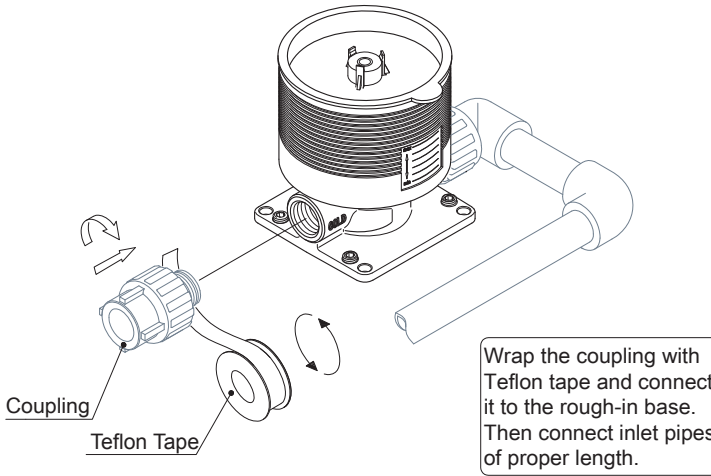
* The installation diagram is only for reference. The product is subject to the real object.



2. Mark position based on the mounting holes of the rough-in base and drill four Ø8 holes. Note that the direction of the outlet is directly opposite the position of the bathtub.

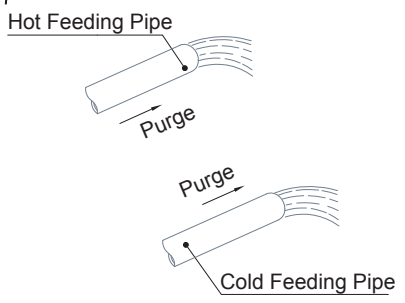


3



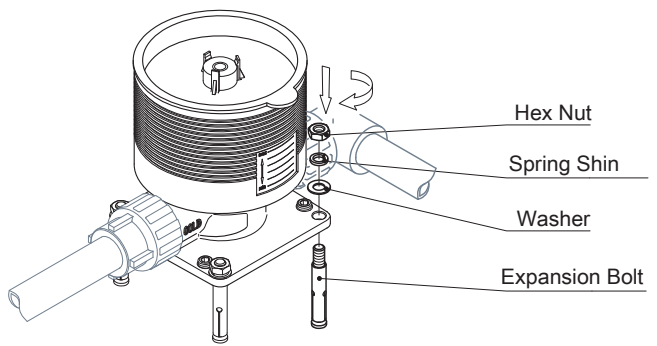
Wrap the coupling with Teflon tape and connect it to the rough-in base. Then connect inlet pipes of proper length.

7



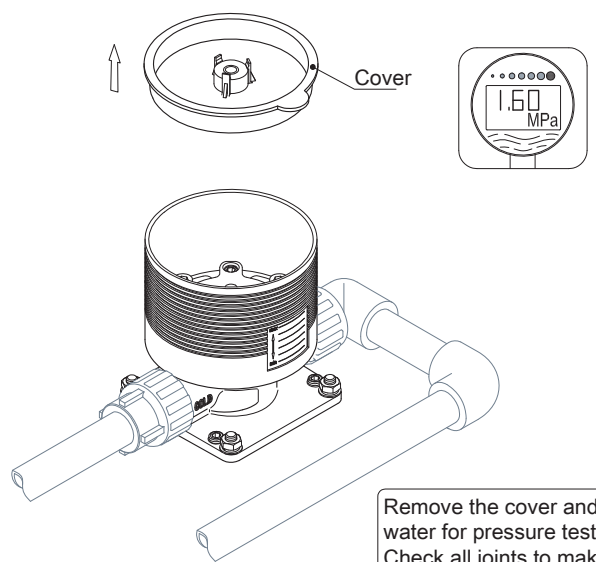
Run water to get rid of any debris inside pipes. Connect cold and hot water pipes. Attention that the HOT mark is to the hot water pipe and COLD mark to the cold pipe. (Otherwise thermostatic cartridge will malfunction, or even cause scald.)

4



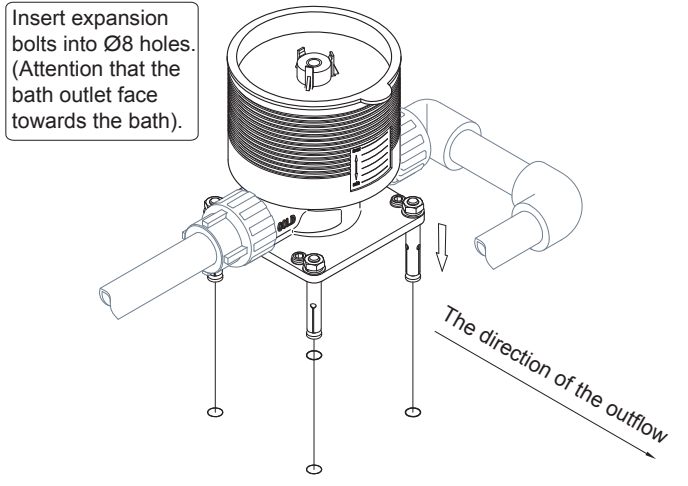
Install four expansion bolts into the rough-in base and tighten hex nuts.

8



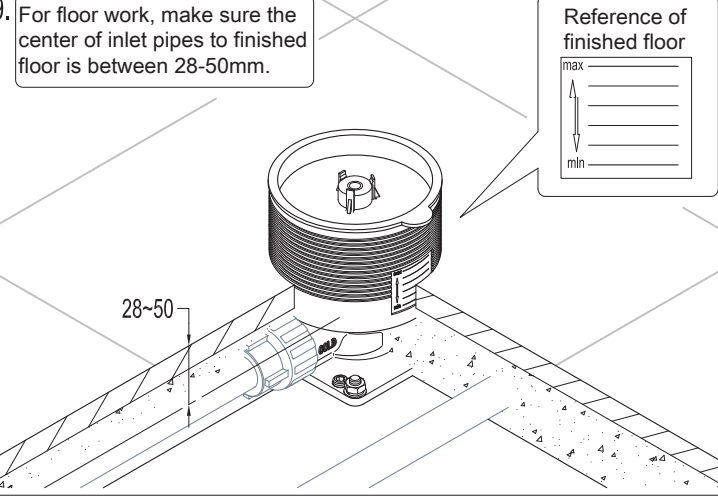
Remove the cover and run water for pressure test. Check all joints to make sure no leakage. Then put back the cover.

5



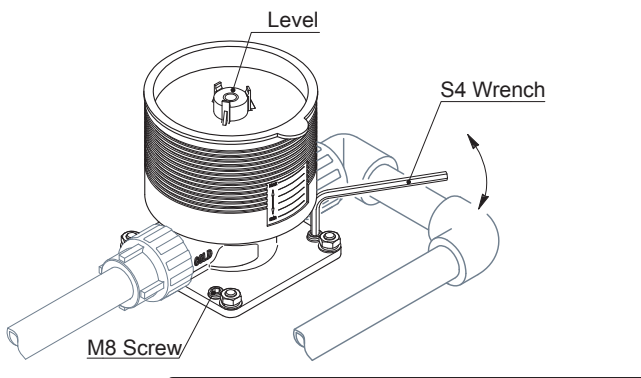
Insert expansion bolts into Ø8 holes. (Attention that the bath outlet face towards the bath).

9



For floor work, make sure the center of inlet pipes to finished floor is between 28-50mm.

6

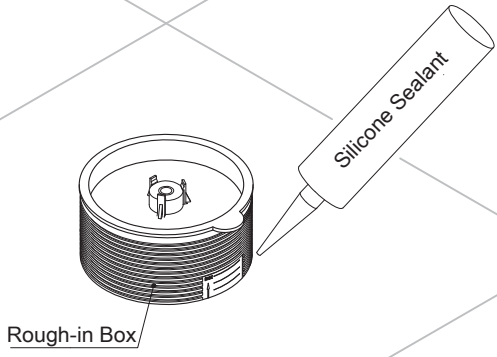


Adjust M8 screws on the rough-in base to its level position and then tighten hex nuts.

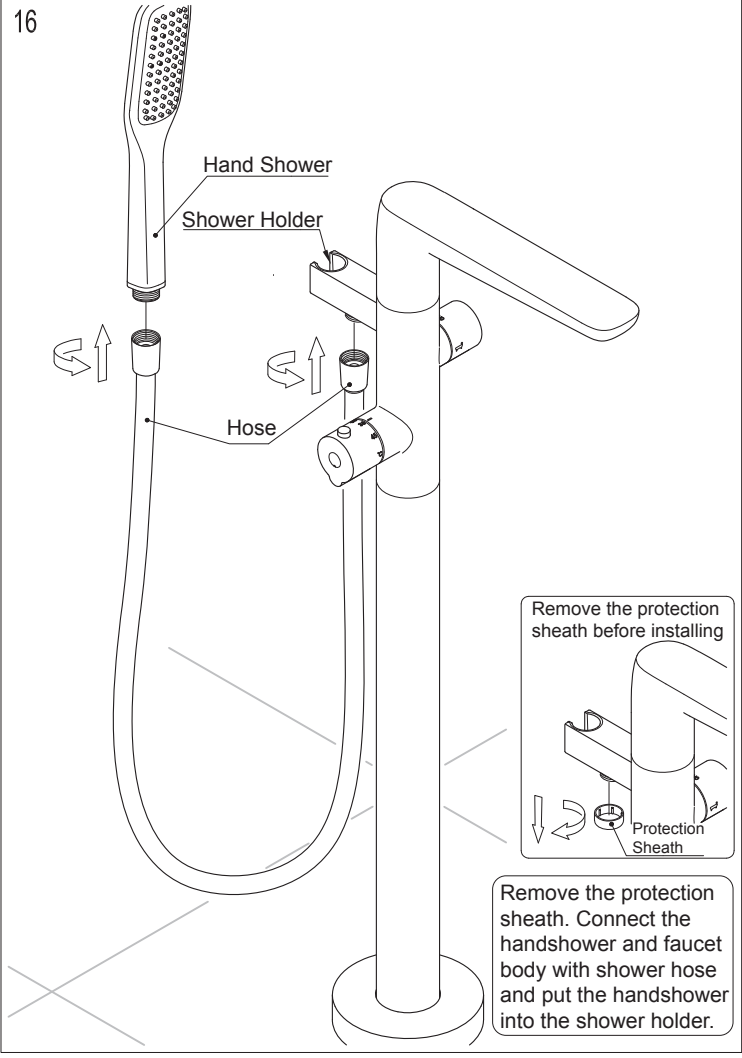
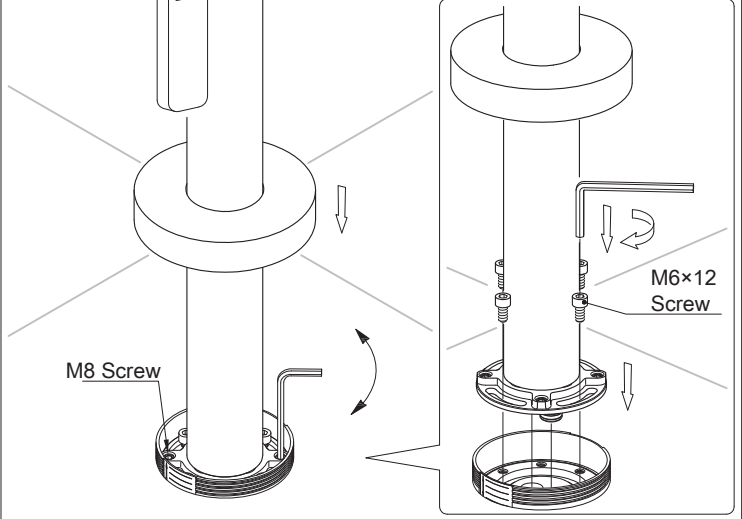
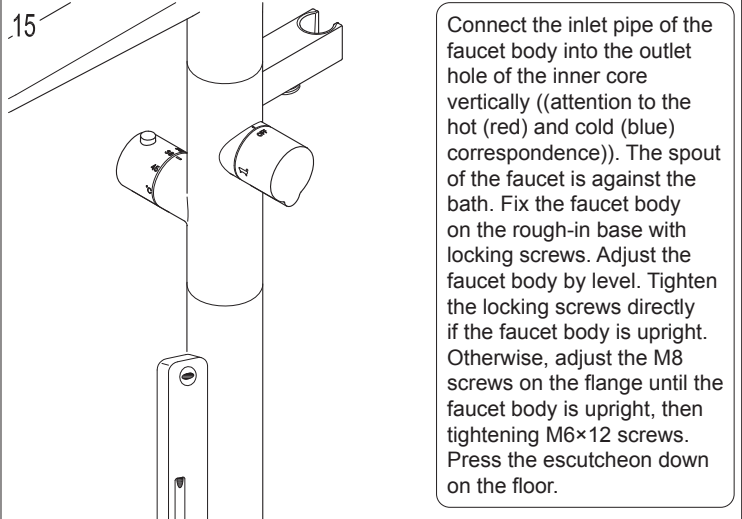
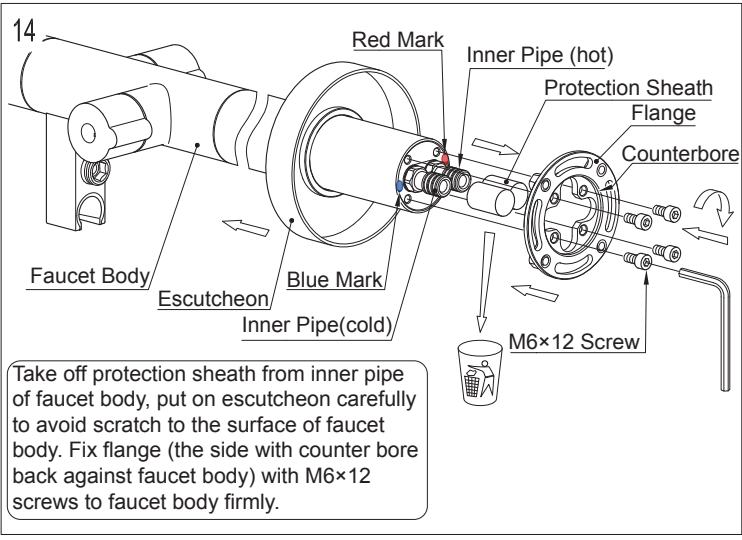
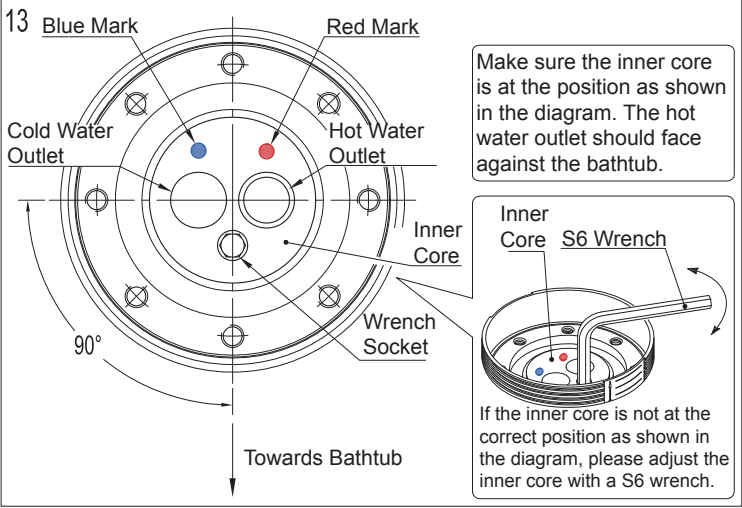
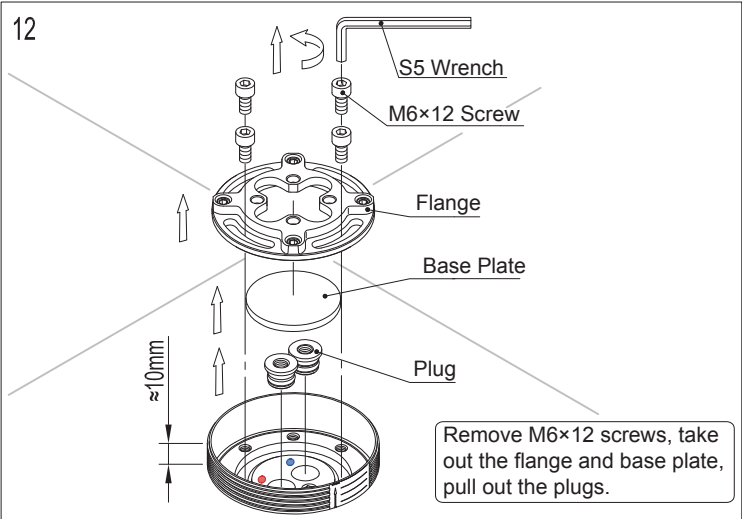
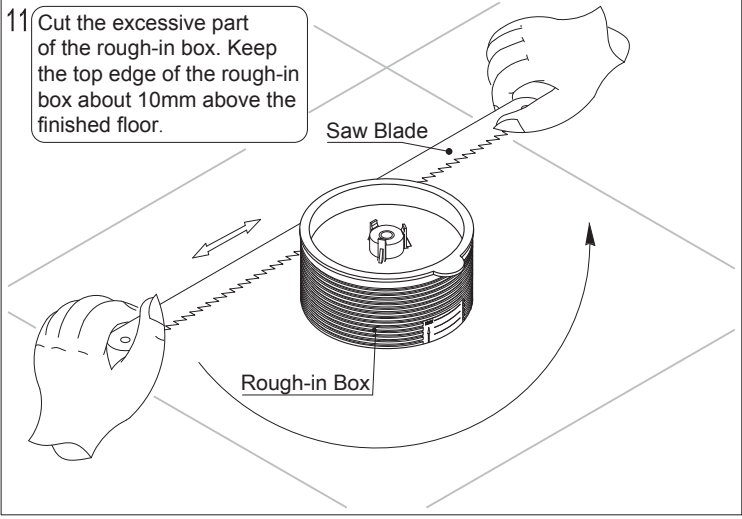
Level
Circle
Bubble

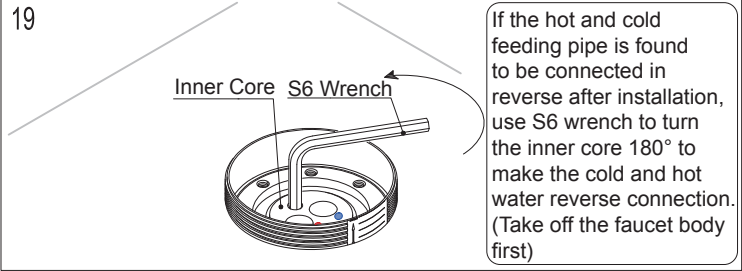
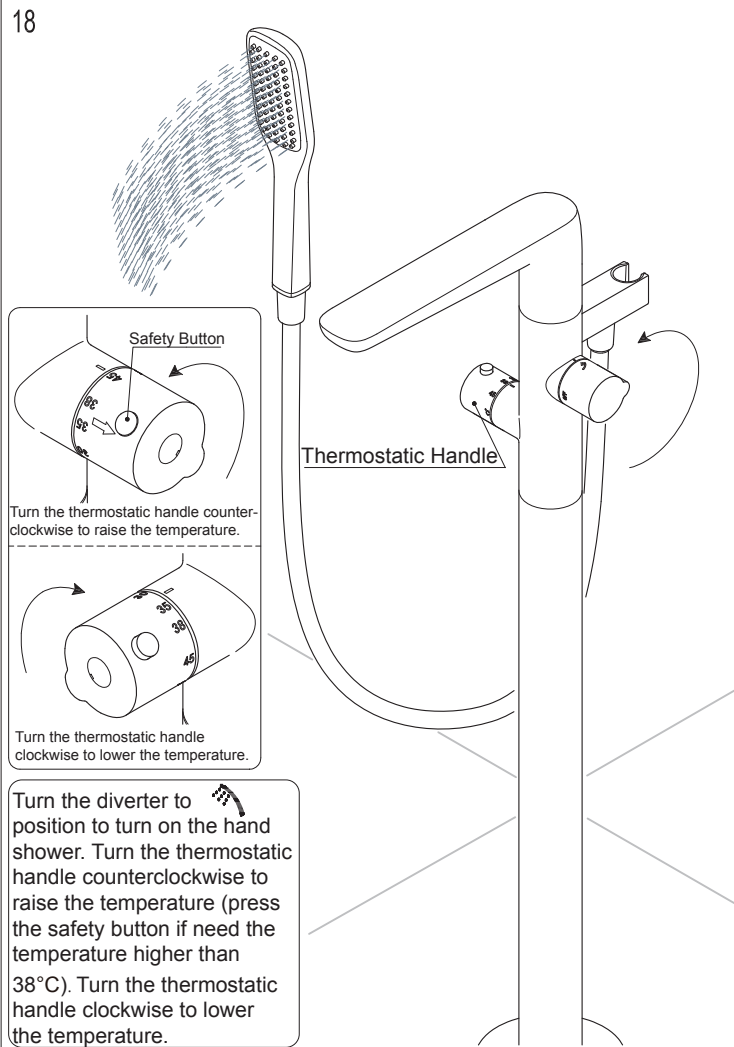
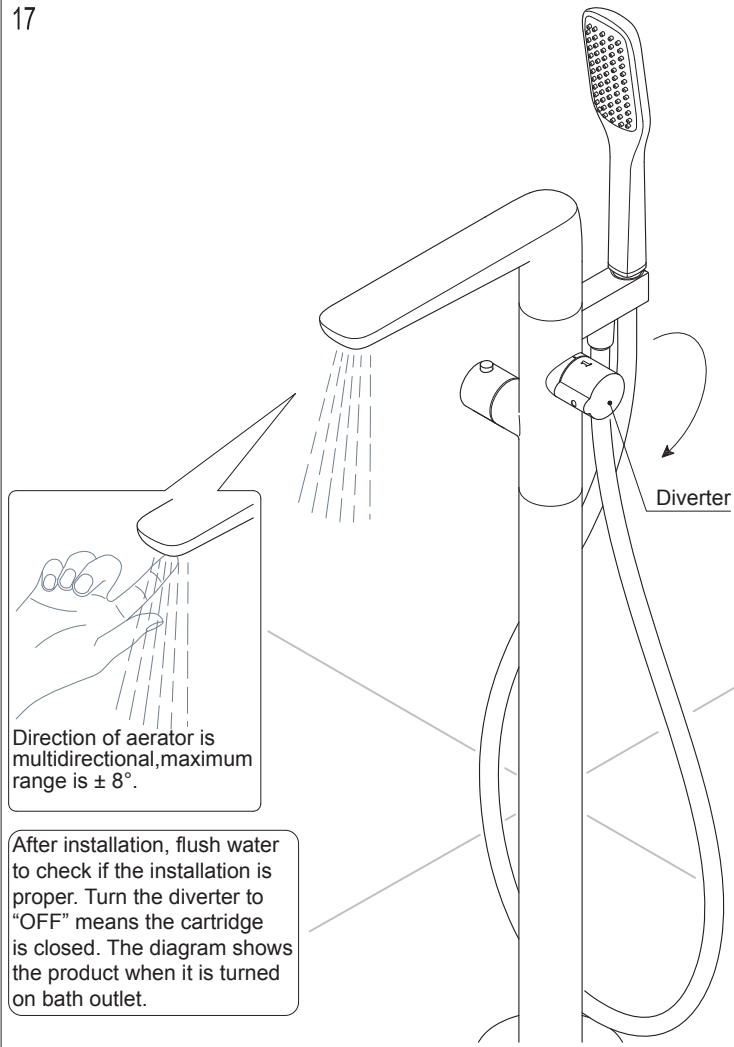
When the bubble inside the level is the center of the circle, the rough-in base is at level position.

10



Fill silicone sealant in between the rough-in box and finish floor such as tiles.





V. Maintenance (Fig.20-23):

If water flow from the hand shower becomes lessened or does not spray evenly, it might be due to debris blocking the outlet. Gently squeeze those rubber outlets on the hand shower with fingers as shown in Diagram 20. Then wash debris out with running water. If water flow from the hand shower is normal, but the volumn from the bath outlet lessens, it might be due to debris blocking the aerator. Take off the aerator and install back afterwashing it as shown in Diagram 21.

If the flow rate is lessened or temperature control is imprecise after a period of usage, it is possibly because water of poor quality blocks the filters on the thermostatic cartridge. Cleaning method should be taken as followed: First, turn off the main inlet valve. Take out the thermostatic cartridge as shown in Diagram 22. Assemble them back after cleaning accordingly. Please note that the slot on thermostatic cartridge spindle should be kept in alignment with stop collar, the safety button on thermostatic handle and the mark on the faucet body.

